



Quality Access Doors - FAST!

# SUBMITTAL/TECHNICAL DATA SHEET

## APPLICATION

The CDW Series Drywall Ceiling Access Panel is a cost-effective, durable flush access panel for ceiling installation that is perfect for applications where a concealed appearance is required such as high luxury properties including hotels, apartment complexes, educational facilities, lobbies, and government buildings. Featuring lightweight, Type X fire and impact resistant gypsum board (drywall) construction making them an excellent choice for use in residential and commercial bathrooms, locker rooms, showers, and more.

## SPECIFICATION

**DOOR & TRIM:** 5/8" Frame and 1 inch thick door. Type X fire resistant drywall gypsum, moisture, mold, and mildew resistant.

**FINISH:** Composed of 100% recycled PURPLE paper on the face and back side. Completely paintable.

## FEATURES

- Entirely of drywall
- Impact resistant
- Sealed edges for durability
- Moisture free and ready to match existing ceiling

## OPTIONS (At Additional Cost)

- Custom sizes available
- Gasketing

For a complete list of options visit [www.BestAccessDoors.com](http://www.BestAccessDoors.com)

SKU: **BA-CDPC**

## ALL DRYWALL CEILING ACCESS PANEL

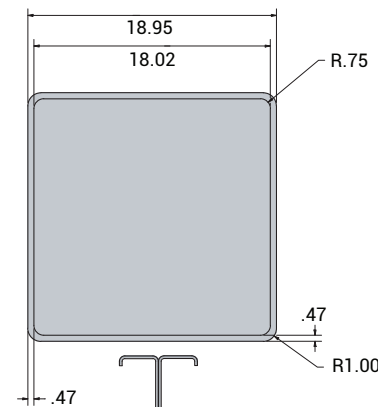
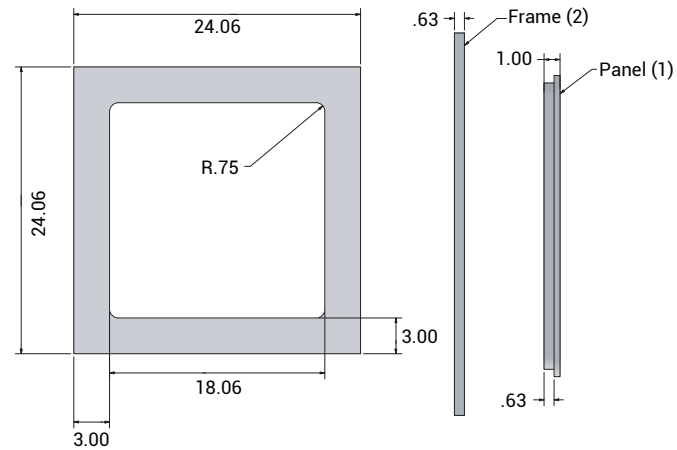


## DIMENSIONS AND APPEARANCE

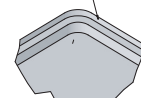
>> [CLICK TO VIEW ADDITIONAL DETAILS AND PRICING <<](#)

### STANDARD SIZES:

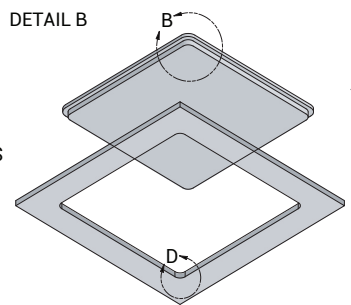
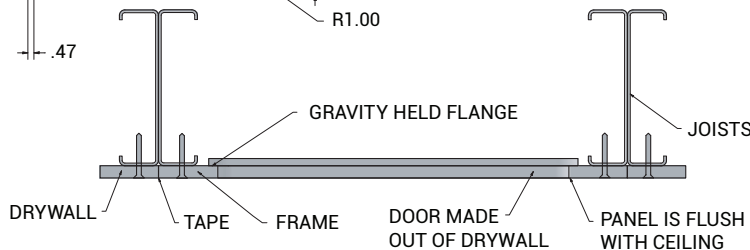
DOOR SIZE W x H (IN.)	WALL OPENING (IN.)	SHIP WEIGHT (LBS)
9 x 9	15 x 15	3
12 x 12	18 x 18	5
16 x 16	22 x 22	9
18 x 18	24 x 24	11
24 x 24	30 x 30	14



EALED DRYWALL EDGES



DETAIL B



## PROJECT DATA

Custom Sizes Available - Fast!

PROJECT NAME :	QTY	W	H	OPTIONS
ARCHITECT :				
DEALER :				
CONTRACTOR :				
LOCATION :	SPECIAL INSTRUCTIONS :			
DATE :				
TAGGING INSTRUCTIONS :	SUBMITTAL APPROVAL : (signature or stamp)			

Scan or Click



To view Pricing and Additional Product Info.

TELEPHONE:  
1-800-483-0823  
FAX:  
1-888-828-6021



228 PARK AVE. S. #76520  
NEW YORK, NY, 10003



WEBSITE:  
[www.BestAccessDoors.com](http://www.BestAccessDoors.com)  
E-MAIL:  
[info@bestaccessdoors.com](mailto:info@bestaccessdoors.com)