



Quality Access Doors - FAST!

SUBMITTAL/TECHNICAL DATA SHEET

APPLICATION

Provides easy access to sheet metal ducts

FEATURES

- Innovative self stick frame for easy installation
- Insulated door panel, double cam, non-hinged
- Tested to 10" SP with minimal leakage

OPTIONS

- Aluminum
- Stainless Steel
- Cylinder Lock & Key
- Hasp + Staple
- L Handle

SPECIFICATIONS

DOOR: 24 gauge galvanized steel, double panel

FRAME: 24 gauge galvanized steel

INSULATION: Door panel filled with 1" fiberglass insulation

GASKETING: 1/8" thick by 1/2" wide closed cell neoprene gasketing between door and frame. 1/8" thick by 1 1/2" wide adhesive bonded gasket between frame to duct

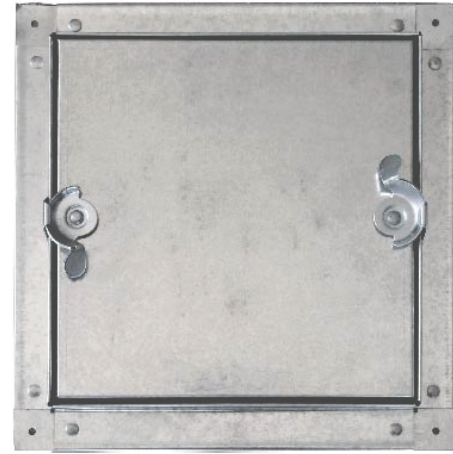
LATCH: Self tightening, hand operated cam latches

HARDWARE: Hex head sheet metal screws

SKU: **BA-CDSS-6030**

SELF STICK DUCT DOORS

FOR SHEET METAL DUCT

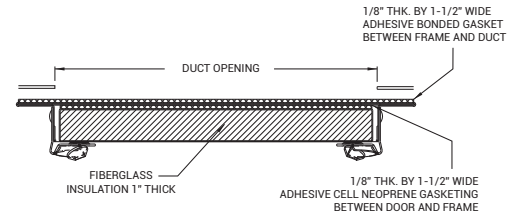


DIMENSIONS AND APPEARANCE

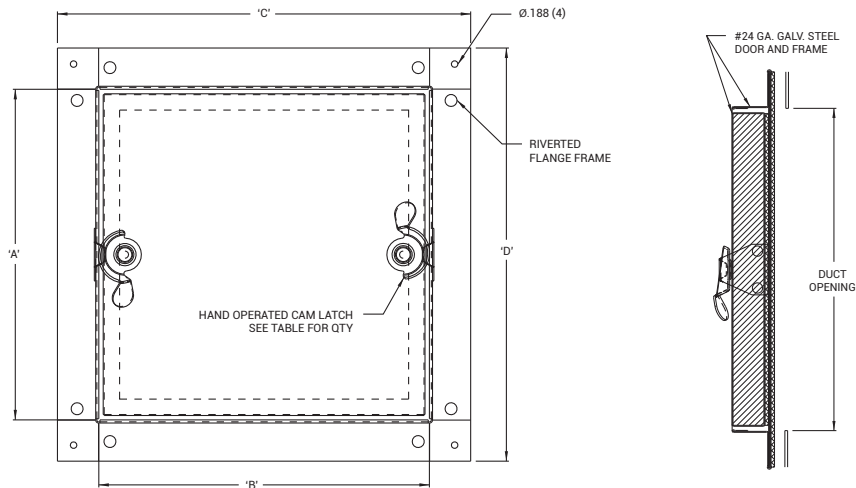
>> [CLICK TO VIEW ADDITIONAL DETAILS AND PRICING <<](#)

STANDARD SIZES:

DOOR SIZE W x H INCHES (MM)	DUCT OPENING	LATCHES	WEIGHT	
			LBS	KG
6 x 6 (152 x 152)	4.5 x 4.5	2	1.25	0.6
8 x 8 (203 x 203)	6.5 x 6.5	2	1.75	0.8
10 x 10 (254 x 254)	8.5 x 8.5	2	2.75	1.3
12 x 12 (305 x 305)	10.5 x 10.5	2	3.75	1.7
12 x 18 (305 x 457)	10.5 x 16.5	4	3.50	1.6
14 x 14 (356 x 356)	12.5 x 12.5	4	4.75	2.2
16 x 16 (406 x 406)	14.5 x 14.5	4	5.25	2.4
18 x 18 (457 x 457)	16.5 x 16.5	4	6.75	3.1
20 x 20 (508 x 508)	18.5 x 18.5	4	9.00	4.1
24 x 24 (610 x 610)	22.5 x 22.5	4	12.0	5.5



MANUFACTURED BY ACUDOR



For a complete list of options visit www.BestAccessDoors.com

PROJECT DATA

Custom Sizes Available - Fast!

Scan or Click



PROJECT NAME :	QTY	W	H	OPTIONS
ARCHITECT :				
DEALER :				
CONTRACTOR :				
LOCATION :	SPECIAL INSTRUCTIONS :			
DATE :				
TAGGING INSTRUCTIONS :	SUBMITTAL APPROVAL : (signature or stamp)			

To view Pricing and Additional Product Info.

TELEPHONE:
1-800-483-0823
FAX:
1-888-828-6021



228 PARK AVE. S. #76520
NEW YORK, NY, 10003



WEBSITE:
www.BestAccessDoors.com

E-MAIL:
info@bestaccessdoors.com

BA-CDSS-6030

SELF STICK DUCT DOOR NO HINGE

NOMINAL SIZE	A	B	C	D	DUCT OPENING	LATCH
6 x 6 (152mm x 152mm)	5.375 (137mm)	5.375 (137mm)	7.875 (368mm)	9.875 (251mm)	4-1/2 X 4-1/2 (114 X 114)	2
8 x 8 (203mm x 203mm)	7.375 (395mm)	7.375 (395mm)	9.875 (469mm)	9.875 (251mm)	6-1/2 X 6-1/2 (165 X 165)	2
10 x 10 (254mm x 254mm)	9.375 (446mm)	9.375 (446mm)	11.875 (520mm)	11.875 (302mm)	8-1/2 X 8-1/2 (216 X 216)	2
12 x 12 (305mm x 305mm)	11.375 (599mm)	11.375 (599mm)	13.875 (673mm)	13.875 (352mm)	10-1/2 X 10-1/2 (267 X 267)	2
12 x 18 (305mm x 457mm)	17.375 (294mm)	17.375 (294mm)	13.875 (368mm)	19.875 (505mm)	10-1/2 X 16-1/2 (267 X 419)	4
14 x 14 (356mm x 356mm)	13.375 (395mm)	13.375 (395mm)	15.875 (469mm)	15.875 (403mm)	12-1/2 X 12-1/2 (318 X 318)	4
16 x 16 (406mm x 406mm)	15.375 (446mm)	15.375 (446mm)	17.875 (520mm)	17.875 (454mm)	14-1/2 X 14-1/2 (368 X 368)	4
18 x 18 (457mm x 457mm)	17.375 (599mm)	17.375 (599mm)	19.875 (673mm)	19.875 (505mm)	16-1/2 X 16-1/2 (419 X 419)	4
20 x 20 (508mm x 508mm)	19.375 (599mm)	19.375 (599mm)	21.875 (673mm)	21.875 (556mm)	18-1/2 X 18-1/2 (470 X 470)	4
24 x 24 (610mm x 610mm)	23.375 (599mm)	23.375 (599mm)	25.875 (673mm)	25.875 (657mm)	22-1/2 X 22-1/2 (572 X 572)	4

