



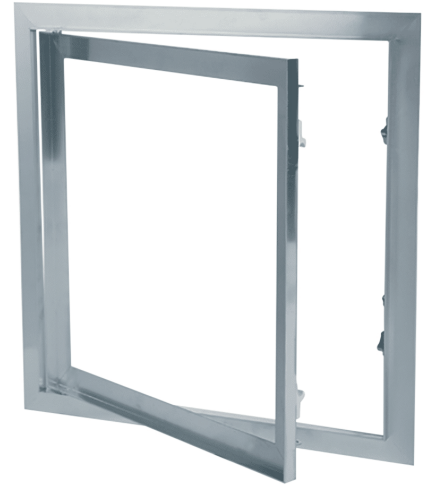
Quality Access Doors- FAST!

SUBMITTAL/TECHNICAL DATA SHEET

SKU: **BA-F1**

DRYWALL ACCESS PANEL

FOR FIXED HINGES



DESCRIPTION

The access panel consists of a welded aluminum frame and is available with 1/2" (12.7 mm) or 5/8" (15.9 mm) inlayed drywall and two latches.

Both an outer and an inner frame assembly consists of high grade aluminum which is bonded with a special welding process.

For sizes 12" x 12" (305 mm x 305 mm) and up the access panels are equipped with a safety system to prevent accidental opening. This safety system must be reattached if the hatch is removed.

The reveal of 1/16 of an inch (1.59 mm) is visible between the outer frame and door hatch. The concealed snap locks open the access panel when pressure is applied to the spring loaded latch side.

ADVANTAGE

- Superior engineering & innovative design
- Fast delivery
- Quick and easy installation
- Solid aluminum frame
- Flush installation in ceilings and walls
- Available in moisture / mildew resistant green board and cement board

OPTIONS

- Screwdriver operated cam latch
- Screwdriver operated four-square cam latch
- Round Cylinder Lock with Key
- Mortise Cylinder Lock Preparation
- Hex Head Cam Latch
- Pinned Hex Head Cam Latch

CUSTOMIZED SOLUTIONS

Customized sizes can be produced in every dimension upon request.

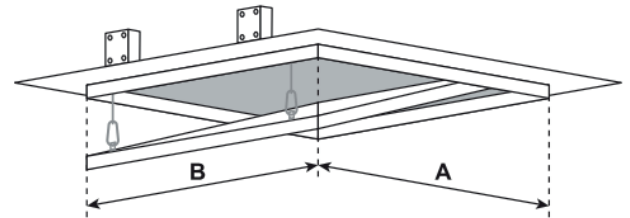
Drywall insert with screws on larger sizes than 24" x 24" (610 mm x 610 mm).

For a complete list of options visit www.BestAccessDoors.com

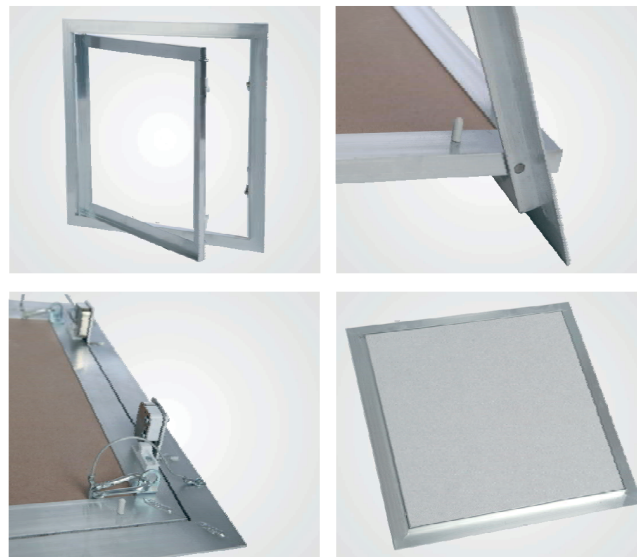
■ DIMENSIONS AND APPEARANCE >> CLICK TO VIEW ADDITIONAL DETAILS AND PRICING <<

STANDARD SIZES:

| System F1 CODE | Dimensions | |
|-------------------|----------------|----------------|
| | A inch mm | B inch mm |
| 203203G127 | 8" 203 | 8" 203 |
| 305305G127 | 12" 305 | 12" 305 |
| 406406G127 | 16" 406 | 16" 406 |
| 508508G127 | 20" 508 | 20" 508 |
| 610610G127 | 24" 610 | 24" 610 |



All standard sizes are available in 1/2" (12.7 mm) or 5/8" (15.9 mm) drywall.



■ PROJECT DATA

Custom Sizes Available - Fast!

Scan or Click



To view Pricing and Additional Product Info.

| | | | | |
|------------------------|--|---|---|---------|
| PROJECT NAME : | QTY | W | H | OPTIONS |
| ARCHITECT : | | | | |
| DEALER : | | | | |
| CONTRACTOR : | | | | |
| LOCATION : | SPECIAL INSTRUCTIONS : | | | |
| DATE : | | | | |
| TAGGING INSTRUCTIONS : | SUBMITTAL APPROVAL : (signature or stamp) | | | |

TELEPHONE:
1-800-483-0823
FAX:
1-888-828-6021



228 PARK AVE. S. #76520
NEW YORK, NY, 10003



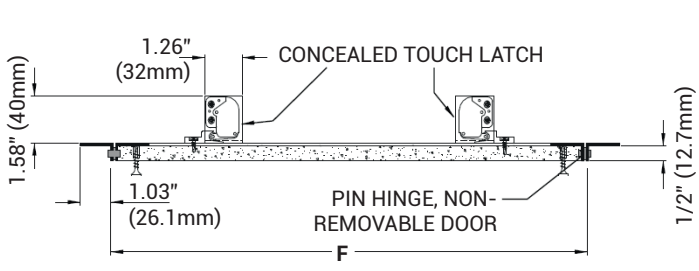
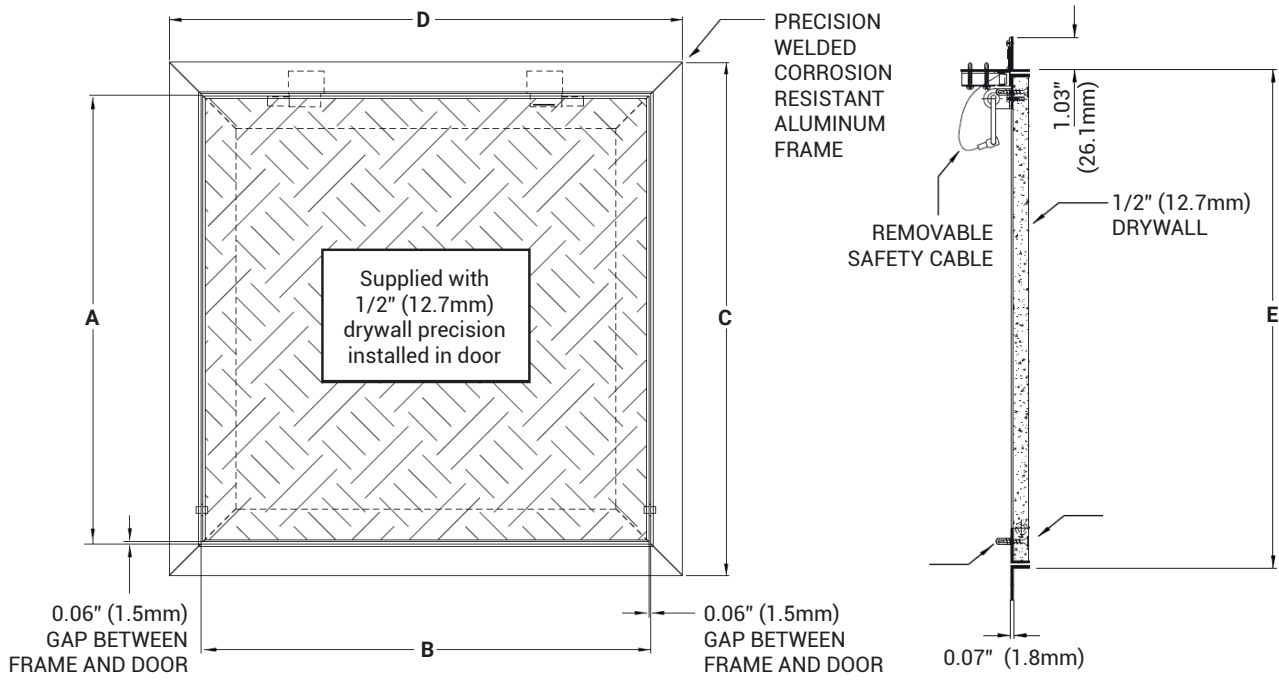
WEBSITE:
www.BestAccessDoors.com

E-MAIL:
info@bestaccessdoors.com

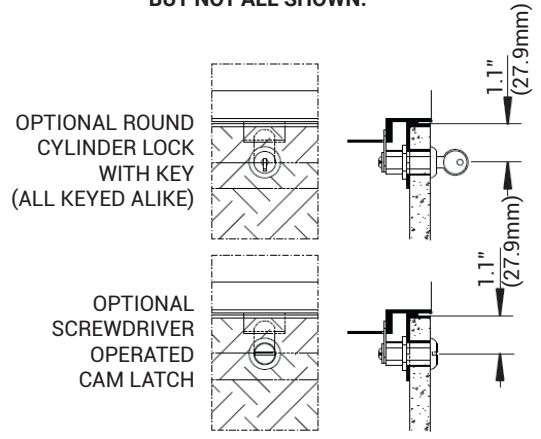
BA-F1

DRYWALL ACCESS PANEL WITH FIXED HINGES

| NOMINAL DOOR SIZE | A | B | C | D | E | F | LOCK |
|---------------------|-------------|-------------|-------------|-------------|-------------|-------------|------|
| Inches (mm) | | | | | | | |
| 8 x 8 (305 x 305) | 8.00 (203) | 8.00 (203) | 10.20 (258) | 10.20 (258) | 8.14 (207) | 8.14 (207) | 2 |
| 12 x 12 (305 x 305) | 12.00 (305) | 12.00 (305) | 14.20 (359) | 14.20 (359) | 12.14 (308) | 12.14 (308) | 2 |
| 16 x 16 (406 x 406) | 16.00 (406) | 16.00 (406) | 18.20 (461) | 18.20 (461) | 16.14 (410) | 16.14 (410) | 2 |
| 18 x 18 (457 x 457) | 18.00 (457) | 18.00 (457) | 20.20 (512) | 20.20 (512) | 22.14 (461) | 22.14 (461) | 2 |
| 20 x 20 (508 x 508) | 20.00 (508) | 20.00 (508) | 22.20 (562) | 22.20 (562) | 20.14 (512) | 20.14 (512) | 2 |
| 24 x 24 (610 x 610) | 24.00 (610) | 24.00 (610) | 26.20 (664) | 26.20 (664) | 24.14 (613) | 24.14 (613) | 2 |
| 24 x 36 (610 x 915) | 24.00 (610) | 36.00 (915) | 26.20 (664) | 38.20 (969) | 24.14 (613) | 36.14 (919) | 2 |



ADDITIONAL LOCK OPTIONS AVAILABLE, BUT NOT ALL SHOWN.



ROUGH OPENING IS NOMINAL SIZE + 3/8" (9mm).
DRYWALL INSERT WITH SCREWS ON SIZES LARGER THAN
24" X 24" (610mm X 610mm)