



Quality Access Doors - FAST!

SUBMITTAL/TECHNICAL DATA SHEET

APPLICATION

- Designed for use in tiled walls
- Used whenever it is necessary to provide access in fire rated walls, when temperature rise is not a factor

FEATURES

- Recessed 1/2" and is lined with self-furring lath
- Designed to maintain continuity in a 2-hour fire barrier wall

SPECIFICATIONS

MATERIAL: Steel

DOOR: 16 gauge with reinforced edges, door pane recessed 1/2" and lined with self-furring lath.

MOUNTING FRAME: 16 gauge steel

HINGE: Continuous exposed piano hinge

FIRE RATING (WALLS): UL – 1-1/2 hour "B" label. ULC – 2 hour "B" label. (optional) Max size 36 x 48

STANDARD LATCH: Universal self-latching bolt, operated by a flush key. When master keying is required, doors can be prepared for rim or mortise cylinder locks.

FINISH: Steel: 5 stage iron phosphate preparation with prime coat of White alkyd baked-on enamel

SKU: **BA-FRRT**

FIRE-RATED RECESSED ACCESS DOOR

FOR TILE WALL

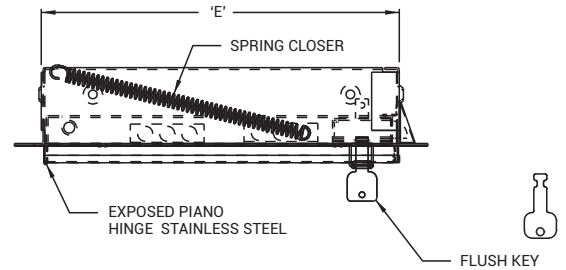


DIMENSIONS AND APPEARANCE

>> [CLICK TO VIEW ADDITIONAL DETAILS AND PRICING <<](#)

STANDARD SIZES:

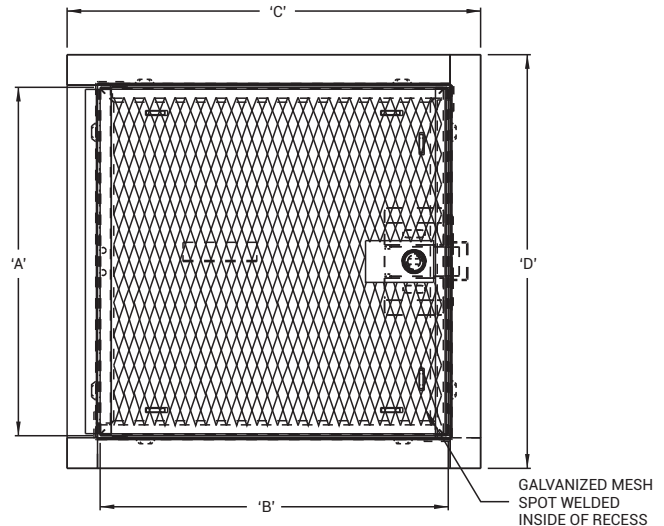
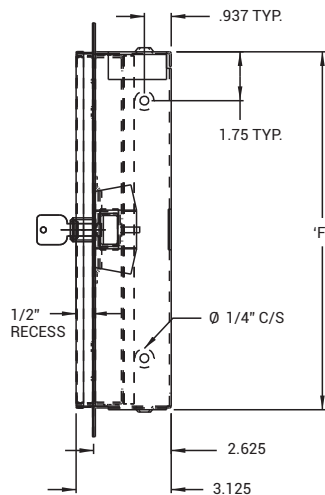
| DOOR SIZE W x H INCHES (MM) | LATCHES | WEIGHT | |
|--------------------------------|---------|--------|------|
| | | LBS | KG |
| 12 x 12 (305 x 305) | 1 | 8.30 | 3.80 |
| 16 x 16 (406 x 406) | 1 | 11.5 | 5.15 |
| 18 x 18 (457 x 457) | 1 | 14.3 | 6.50 |
| 24 x 24 (610 x 610) | 1 | 20.3 | 9.20 |
| 26 x 36 (610 x 914) | 2 | 30.0 | 13.6 |



Wall opening is W + 3/8" (9 mm)

For detailed specifications see submittal sheet

MANUFACTURED BY ACUDOR



For a complete list of options visit www.BestAccessDoors.com

PROJECT DATA

Custom Sizes Available - Fast!

| PROJECT NAME : | QTY | W | H | OPTIONS |
|------------------------|--|---|---|---------|
| ARCHITECT : | | | | |
| DEALER : | | | | |
| CONTRACTOR : | | | | |
| LOCATION : | SPECIAL INSTRUCTIONS : | | | |
| DATE : | | | | |
| TAGGING INSTRUCTIONS : | SUBMITTAL APPROVAL : (signature or stamp) | | | |

Scan or Click



To view Pricing and Additional Product Info.

TELEPHONE:
1-800-483-0823
FAX:
1-888-828-6021



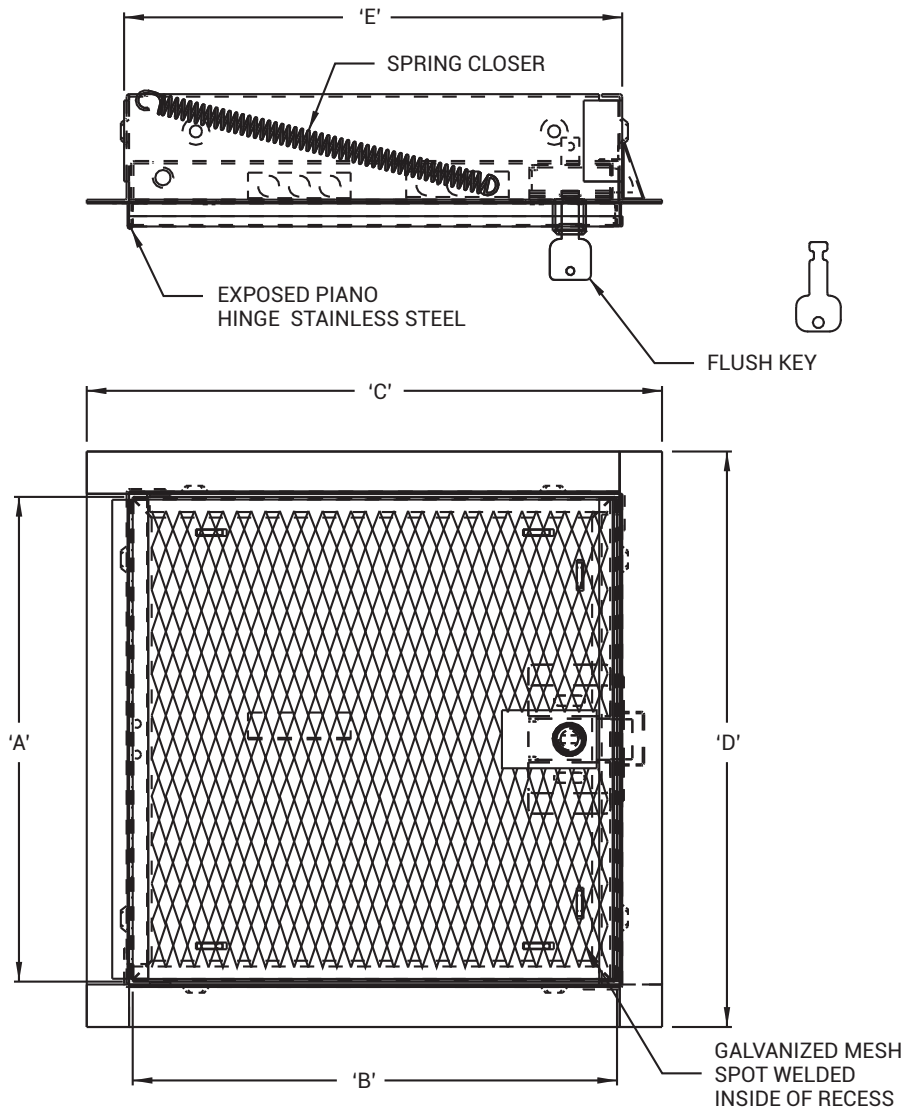
228 PARK AVE. S. #76520
NEW YORK, NY, 10003



WEBSITE:
www.BestAccessDoors.com
E-MAIL:
info@bestaccessdoors.com

BA-FRRT FIRE-RATED RECESSED ACCESS DOOR FOR TILE WALL

| NOMINAL DOOR SIZE | A | B | C | D | E | F | LOCK |
|---------------------|-------------|-------------|-------------|-------------|-------------|-------------|------|
| Inches (mm) | | | | | | | |
| 12 x 12 (305 x 305) | 11.78 (299) | 11.78 (299) | 14.00 (356) | 14.00 (356) | 12.12 (308) | 12.12 (308) | 1 |
| 16 x 16 (406 x 406) | 15.78 (401) | 15.78 (401) | 18.00 (457) | 18.00 (457) | 16.12 (409) | 14.12 (409) | 1 |
| 18 x 18 (457 x 457) | 17.78 (452) | 17.78 (452) | 20.00 (508) | 20.00 (508) | 18.12 (460) | 16.12 (460) | 1 |
| 24 x 24 (610 x 610) | 23.78 (604) | 23.78 (604) | 26.00 (660) | 26.00 (660) | 24.12 (613) | 18.12 (613) | 1 |
| 24 x 36 (610 x 914) | 35.78 (908) | 23.78 (604) | 26.00 (660) | 38.00 (965) | 24.12 (613) | 24.12 (917) | 2 |



WALLS
Approved by Underwriters Laboratories (UL) for 1 1/2 hours "B" label in walls and ULC for 2 hours "B" label in walls.

