



Quality Access Doors - FAST !



FWC-5015

Fire Rated Access Door,
Recessed for Drywall Ceilings

Application

- For installation in drywall ceilings requiring concealing of the door panel consistent to surroundings
- For use in Fire Rated Ceilings that needs tested and certified doors having Fire Resistance Rating of 90 minutes.

Product Features

- Recessed reinforced insulated door fitted with 5/8" Fire-rated drywall.
- Concealed hinge & self-centering device ensures seamless appearance in ceiling
- Self-closing & self-latching door mechanism
- Perforated Frame ensures trouble-free application of skim coat to edge of the door
- Zinc coated steel provides superior corrosion resistance
- Testing Standards – CAN ULC S101-14, ASTM E119-16 and NFPA 251

FWC-5015 Access Door Specifications:

Door: Steel-22 Gauge recessed fitted with 5/8" thick drywall suitable to accept skim coat finish on site.

Door Frame: Steel-22 Gauge press bent for strength and rigidity with pre-punched flanges for convenient mounting and accepting skim coat finish on site

Hinge: Concealed

Fire Rating (Ceilings): Meets 90 minutes Fire Resistance Rating in accordance with CAN ULC S101-14, ASTM E119-16 and NFPA 251

Latch: Self-latching bolt, operated by flush key

Finish: Satin coat steel

FWC-5015 STANDARD SIZES

(other sizes available upon request)

Nominal Door Size W&H		Latches	Weight per Door	
Inches	mm		lbs.	kg.
12 X 12	305 X 305	1	11	5
16 x 16	406 X 406	1	16	7
18 X 18	457 x 457	1	21	10
24 X 24	610 x 610	1	35	16
24 X 36	610 X 914	2	44	20

Ceiling opening is W + 3/8" (9 mm)

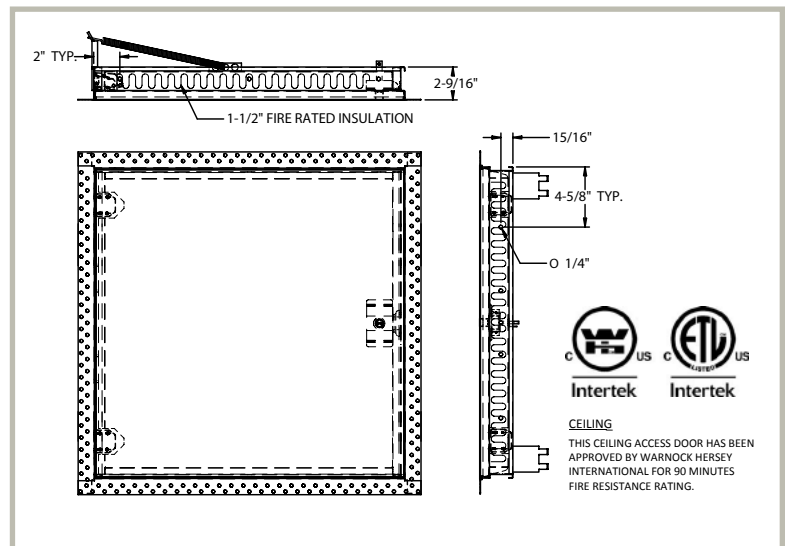
For detailed specifications see submittal sheet

PATENT PENDING



Drywall insert included

PATENT PENDING



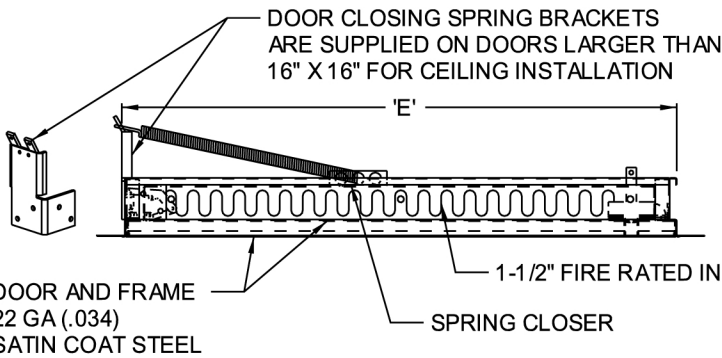


www.bestaccessdoors.com
 Email: sales@bestaccessdoors.com
 Tel: 1-800-483-0823
 Fax: 1-888-828-6021
 Address: 427 N Tatnail St, #76520
 Wilmington, DE 19802-2230

BA-FWC-5015

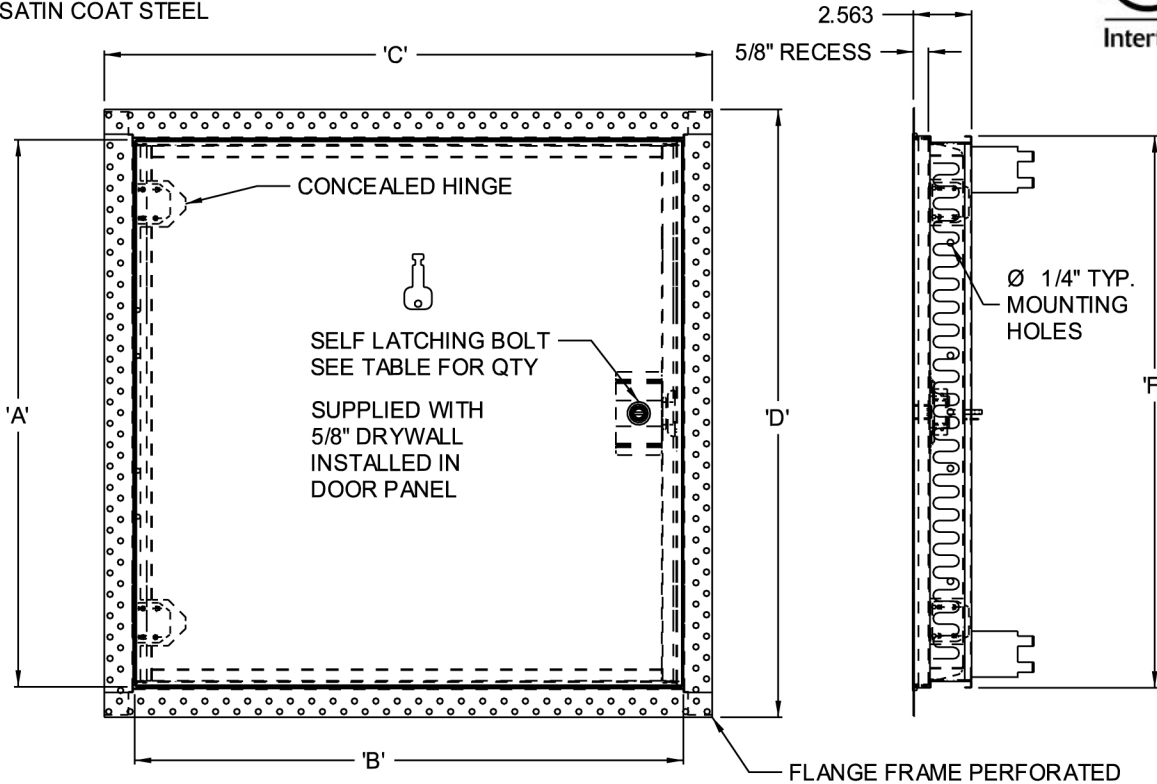
RECESSED FOR DRYWALL CEILING

QTY.	NOMINAL SIZE	A	B	C	D	E	F	LATCH QTY
	12 x 12 (305 x 305)	11.83 (300)	11.89 (302)	14.48 (368)	14.48 (368)	12.17 (309)	12.04 (306)	1
	14 x 14 (356 x 356)	13.83 (351)	13.89 (353)	16.48 (419)	16.48 (419)	14.17 (360)	14.04 (357)	1
	16 x 16 (406 x 406)	15.83 (402)	15.89 (404)	18.48 (469)	18.48 (469)	16.17 (411)	16.04 (407)	1
	18 x 18 (457 x 457)	17.83 (453)	17.89 (454)	20.48 (520)	20.48 (520)	18.17 (462)	18.04 (458)	1
	24 x 24 (610 x 610)	23.83 (605)	23.89 (607)	26.48 (673)	26.48 (673)	24.17 (614)	24.04 (611)	1
	24 x 36 (610 x 914)	35.83 (910)	23.89 (607)	26.48 (673)	38.48 (977)	24.17 (614)	36.04 (915)	2



CEILING

FOR USE IN FIRE RATED CEILING THAT REQUIRE DOORS TO BE TESTED AND CERTIFIED FOR FIRE RESISTANCE RATING OF 90 MINUTES IN ACCORDANCE WITH CAN ULC S101-14, ASTM E119-16 AND NFPA 251 (MAX. SIZE 24" x 36").



STANDARD FEATURES: UNIVERSAL SELF LATCHING BOLT- OPERATED BY FLUSH KEY, WITH INSIDE TURN RELEASE SATIN COAT STEEL, MILL FINISH

FIRE RATED SPECIAL SIZES: SPECIAL SIZES CAN BE ORDERED, BUT BASIC CONSTRUCTION MUST COMPLY WITH WARNOCK HERSEY INTERNATIONAL REGULATIONS.

JOB NAME:
 CUSTOMER:

APPROVED BY:
 DATE: