

Floor Door, Floodtight / Gastight

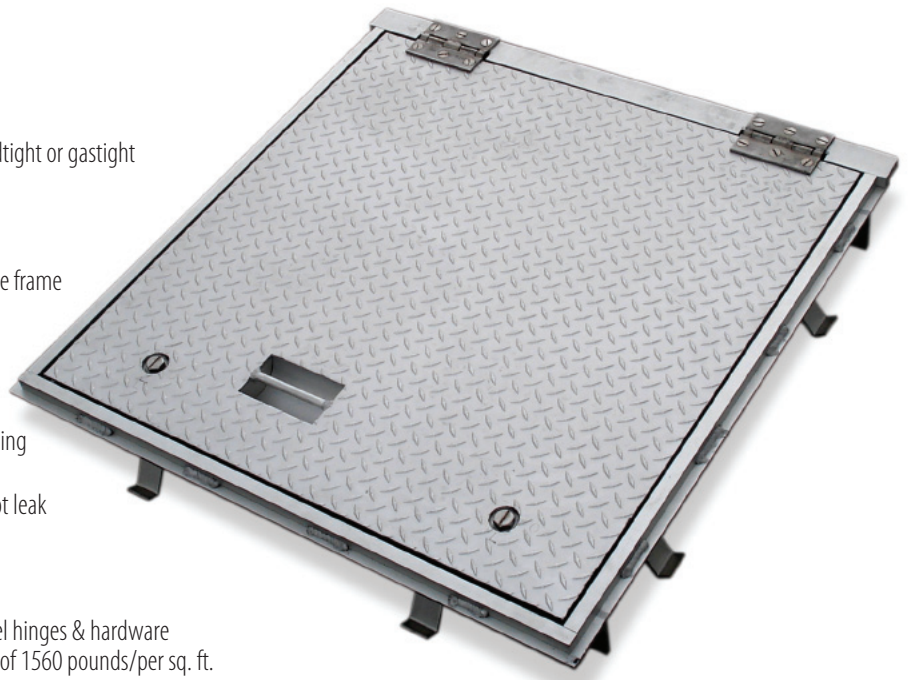
BA-GTFD

Application

- Designed for interior and exterior applications where floodtight or gastight is required.

Product Features

- Angle frame construction with anchors welded around the frame for casting into concrete.
- Diamond plate door panel is reinforced for a live load of 1560 pounds/sqft. (capable of holding up to 25 ft. head of water).
- Door panel overlaps frame, compressing the gasket providing a floodtight/gastight fit.
- EPDM gasket and floodtight cam locks ensure door will not leak from standing water.



BA-GTFD Floor Door Specifications:

Material: Aluminum door & frame ; Type 316 Stainless steel hinges & hardware

Door: 1/4" aluminum diamond plate reinforced for live load of 1560 pounds/per sq. ft. (capable of holding up to 25 ft. head of water)

Frame: 3/8" aluminum with 3/16" x 1 1/2" strap anchors welded around the frame for casting into concrete

Hinge: Type 316 stainless steel butt hinges with tamper proof stainless steel bolts and nuts

Gasket: 9/16" O.D. x 1/8" I.D. EPDM gasket

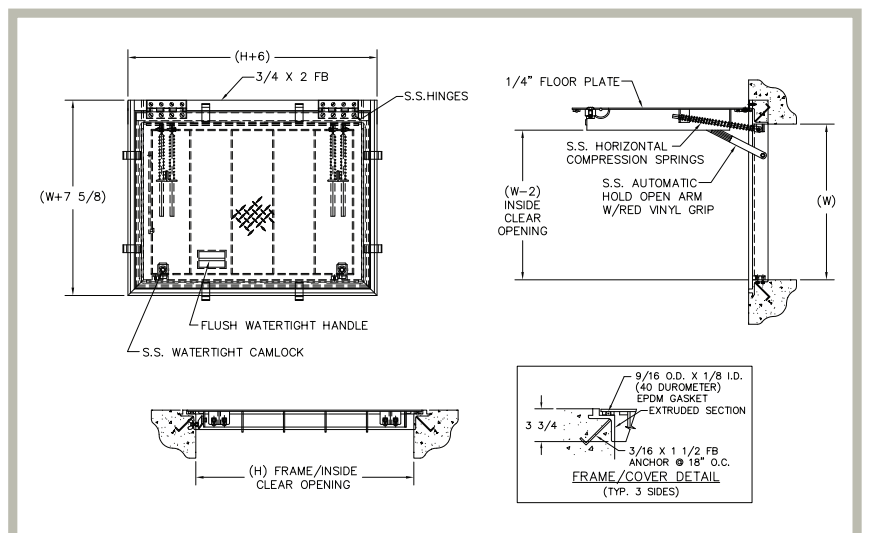
Opening Device: Automatic hold open arm with red vinyl grip allows door to open to 90 degrees, locking door in open position and allowing for easy control when closing door panel. Optional Lift Assist available

Standard Latch: Type 316 stainless steel floodtight cam locks and flush floodtight handle

Finish: Mill finish is standard, Bituminous coating optional on exterior of frame

AVAILABLE SIZES (Special sizes available upon request)

FRAME I.D. SIZE W X H		WEIGHT PER DOOR	
inches	mm	lbs.	kg.
24 x 24	610 x 610	75	34.1
24 x 30	610 x 762	90	40.9
24 x 36	609 x 914	100	45.4
30 x 30	762 x 762	105	47.7
30 x 36	762 x 914	115	52.3
30 x 48	762 x 1220	140	63.6
36 x 36	914 x 914	130	59.1
36 x 48	914 x 1220	155	70.4



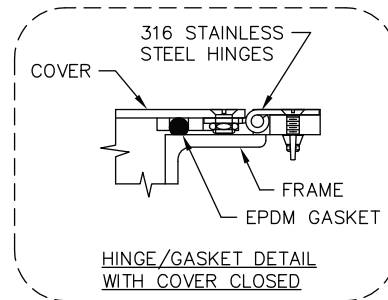
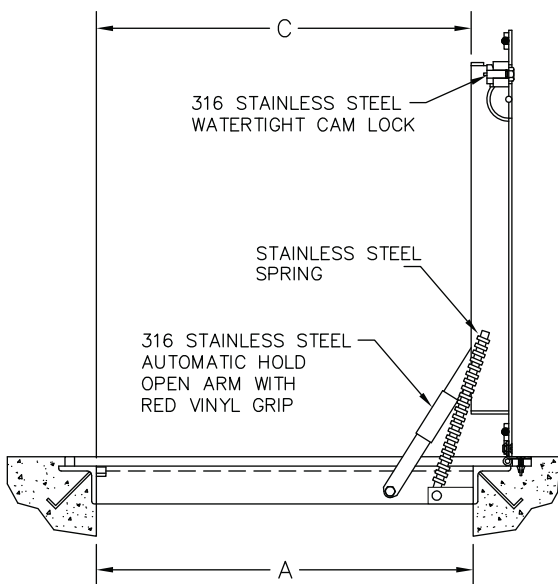
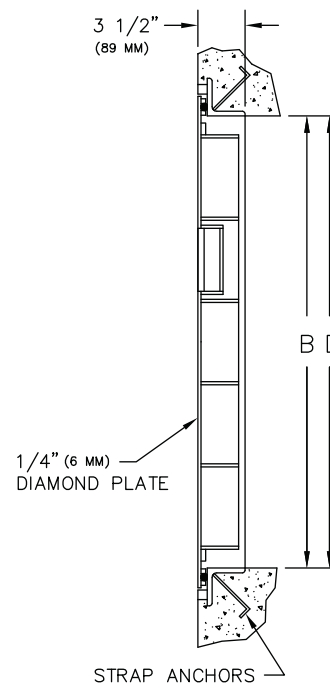
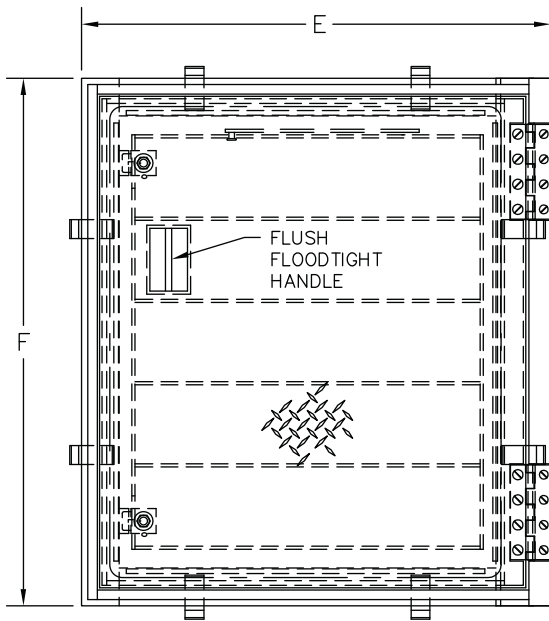


228 Park Ave S # 76520, New York NY 10003-1502, United States
 www.BestAccessDoors.com | sales@bestaccessdoors.com
 Tel.: 1-800-483-0823 | Fax: 1-888-828-6021

BA-GTFD

ANGLE FRAME FLOOR DOOR FLOODTIGHT/GASTIGHT

NOMINAL DOOR SIZE	FRAME OPENING		CLEAR OPENING		OVERALL SIZE		WEIGHT
	A in. (mm)	B in. (mm)	C in. (mm)	D in. (mm)	E in. (mm)	F in. (mm)	
24 x 24 (610 x 610)	24 (610)	24 (610)	22 (584)	24 (610)	31-5/8 (803)	30 (762)	84 (38)
24 x 30 (610 x 762)	24 (610)	30 (762)	22 (584)	30 (762)	31-5/8 (803)	36 (914)	101 (46)
24 x 36 (610 x 914)	24 (610)	36 (914)	22 (584)	36 (914)	31-5/8 (803)	42 (1067)	117 (53)
30 x 30 (762 x 762)	30 (762)	30 (762)	28 (737)	30 (762)	37-5/8 (940)	36 (914)	125 (57)
30 x 36 (762 x 914)	30 (762)	36 (914)	28 (737)	36 (914)	37-5/8 (940)	42 (1067)	136 (62)
30 x 48 (762 x 1219)	30 (762)	48 (1219)	28 (737)	48 (1219)	37-5/8 (940)	54 (1372)	176 (80)
36 x 36 (914 x 914)	36 (914)	36 (914)	34 (914)	36 (914)	43-5/8 (1108)	42 (1067)	156 (71)
36 x 48 (914 x 1219)	36 (914)	48 (1219)	34 (914)	48 (1219)	43-5/8 (1108)	54 (1372)	201 (91)



NOTE:
 - MATERIAL: ALUMINUM WITH 316 STAINLESS STEEL NUTS & BOLTS, CAM LOCKS, HINGES AND HOLD OPEN ARM.
 - LOADING: 1560 LBS. PER SQ. FOOT (7611 KG. PER SQ. M) (CAPABLE OF HOLDING UP TO 25 FT. HEAD OF WATER)
 - S.S. HORIZONTAL SPRINGS
 - BITUMINOUS PAINT ON AREA IN CONTACT WITH CONCRETE

JOB NAME:
 CUSTOMER:

APPROVED BY:
 DATE: