



Quality Access Doors- FAST!

SUBMITTAL/TECHNICAL DATA SHEET

APPLICATION

Economical access to fiberglass ducts

FEATURES

- These doors are for use in low to medium pressure fiberglass ducts
- Hinged door panel

OPTIONS

- Aluminum
- Stainless steel

SPECIFICATIONS

MATERIAL: Galvanized steel

DOOR: 24 gauge

MOUNTING FRAME: 24 gauge

GASKETING: 1/8" thick by 1/2" wide closed cell neoprene gasketing between door and frame and also between frame and duct.

INSULATION: 1" Micro-AIRC M/F TYPE-475 R value 7.7

HINGE: Continuous aluminum piano hinge

LATCH: Self tightening, hand operated cam latch



SKU: BA-HD-5070-F

DUCT DOORS

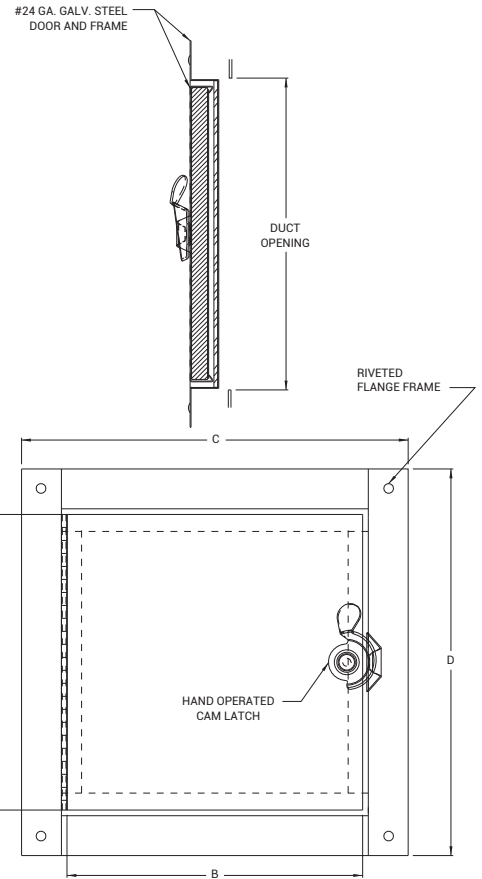
FOR DUCTBOARD/FIBERGLASS DUCTS

DIMENSIONS AND APPEARANCE

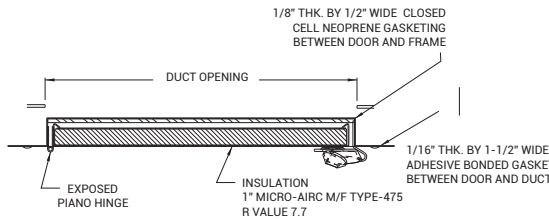
>> CLICK TO VIEW ADDITIONAL DETAILS AND PRICING <<

| DOOR SIZE W x H INCHES (MM) | LATCHES | WEIGHT | |
|--------------------------------|---------|--------|-----|
| | | LBS | KG |
| 6 x 6 (152 x 152) | 2 | 1.00 | 0.5 |
| 8 x 8 (203 x 203) | 2 | 1.25 | 0.6 |
| 10 x 10 (254 x 254) | 2 | 2.00 | 0.9 |
| 12 x 12 (304 x 304) | 2 | 2.50 | 1.1 |
| 14 x 14 (356 x 356) | 2 | 3.25 | 1.5 |
| 16 x 16 (406 x 406) | 2 | 4.00 | 1.8 |
| 18 x 18 (457 x 457) | 2 | 5.50 | 2.5 |
| 24 x 24 (610 x 610) | 2 | 12.0 | 5.5 |

Duct opening is same size as normal door opening
For detailed specifications see submittal sheet



MANUFACTURED BY ACUDOR



For a complete list of options visit
www.BestAccessDoors.com

PROJECT DATA

Custom Sizes Available - Fast!

Scan or Click



To view Pricing and Additional Product Info.

| | | | | |
|------------------------|--|---|---|---------|
| PROJECT NAME : | QTY | W | H | OPTIONS |
| ARCHITECT : | | | | |
| DEALER : | | | | |
| CONTRACTOR : | | | | |
| LOCATION : | SPECIAL INSTRUCTIONS : | | | |
| DATE : | | | | |
| TAGGING INSTRUCTIONS : | SUBMITTAL APPROVAL : (signature or stamp) | | | |

TELEPHONE:
1-800-483-0823
FAX:
1-888-828-6021



228 PARK AVE. S. #76520
NEW YORK, NY, 10003

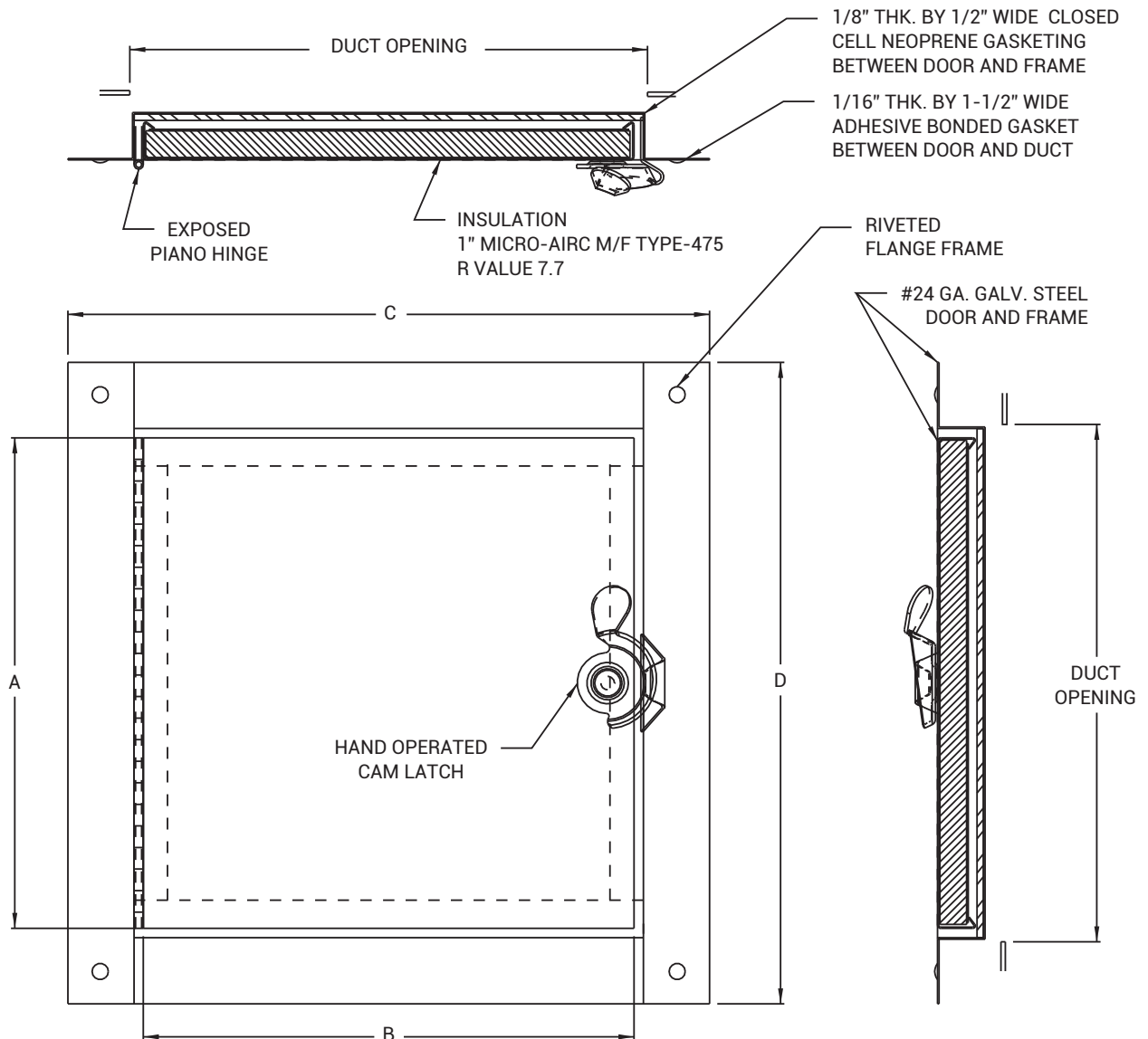


WEBSITE:
www.BestAccessDoors.com
E-MAIL:
info@bestaccessdoors.com

BA-HD-5070-F

HINGED DUCT DOOR FOR FIBERGLASS DUCT

| NOMINAL DOOR SIZE | A | B | C | D | DUCT OPENING | LATCH |
|---------------------|--------------|--------------|--------------|--------------|---------------------|-------|
| Inches (mm) | | | | | | |
| 6 x 6 (152 x 152) | 5.375 (137) | 5.375 (137) | 8.875 (225) | 8.875 (225) | 6 X 6 (152 X 152) | 2 |
| 8 x 8 (203 x 203) | 7.375 (187) | 7.375 (187) | 10.875 (276) | 10.875 (276) | 8 X 8 (203 X 203) | 2 |
| 10 x 10 (254 x 254) | 9.375 (238) | 9.375 (238) | 12.875 (327) | 12.875 (327) | 10 X 10 (254 X 254) | 2 |
| 12 x 12 (304 x 304) | 11.375 (289) | 11.375 (289) | 14.875 (378) | 14.875 (378) | 12 X 12 (304 X 304) | 2 |
| 14 x 14 (356 x 356) | 13.375 (340) | 13.375 (340) | 16.875 (429) | 16.875 (429) | 14 X 14 (356 X 356) | 2 |
| 16 x 16 (406 x 406) | 15.375 (391) | 15.375 (391) | 18.875 (479) | 18.875 (479) | 16 X 16 (406 X 406) | 2 |
| 18 x 18 (457 x 457) | 17.375 (441) | 17.375 (441) | 20.875 (530) | 20.875 (530) | 18 X 18 (457 X 457) | 2 |
| 24 x 24 (610 x 610) | 23.375 (603) | 23.375 (603) | 26.875 (683) | 26.875 (683) | 24 X 24 (610 X 610) | 2 |



MANUFACTURED BY ACUDOR