

BA-HFRT-1

FLOOR DOOR

Recessed 1" for Ceramic Tile/Concrete

Application

- Designed for interior and exterior applications that require an access opening that will blend in with the surrounding floor material

Product Features

- Recessed 1" to accommodate ceramic tile/concrete flooring
- Door panel is equipped with a flush aluminum drop handle and an automatic hold open arm

BA-HFRT-1 Floor Door Specifications:

Material: Aluminum door and frame; stainless steel hinges and hardware

Door: 1/4" smooth aluminum plate reinforced for live load of 150 lb/sq. ft.

Extruded edging is welded to door panel, providing a 1" recess

Frame: Channel frame fabricated from aluminum extrusion with 1 1/2" drainage coupling and integral 1" anchor flange

Hinge: Stainless steel continuous piano hinge

Opening Device: Automatic Hold-Open Arm with red vinyl grip allows door panel to open

to 90 degrees, locking door in open position, and allowing for easy control when closing door panel.

Stainless Steel Open Compression Springs provide lift assist.

Standard Latch: Stainless steel slam lock with a fixed inside handle, removable outside handle, and removable threaded plug

Finish: Mill finish with bituminous coating applied to exterior of frame



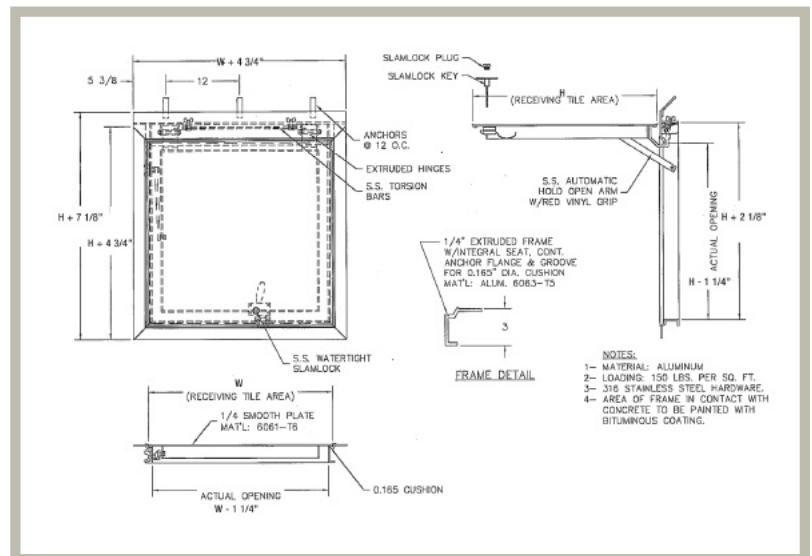
BA-HFRT-1 STANDARD SIZES

(other sizes available upon request)

Nominal Door Size W&H		Weight per Door	
inches	mm	lbs.	kg.
24 x 24	610 x 610	45	20.5
24 x 30	610 x 762	55	25
24 x 36	610 x 914	60	27.2
30 x 30	762 x 762	60	27.2
30 x 36	762 x 914	70	31.8
36 x 36	914 x 914	75	34
42 x 42	1067 x 1067	100	45.4
48 x 48*	1220 x 1220	155	70.4
48 x 72*	1220 x 1829	220	99.9
60 x 60*	1524 x 1524	225	102.2

* Double Leaf

For detailed specifications see submittal sheet



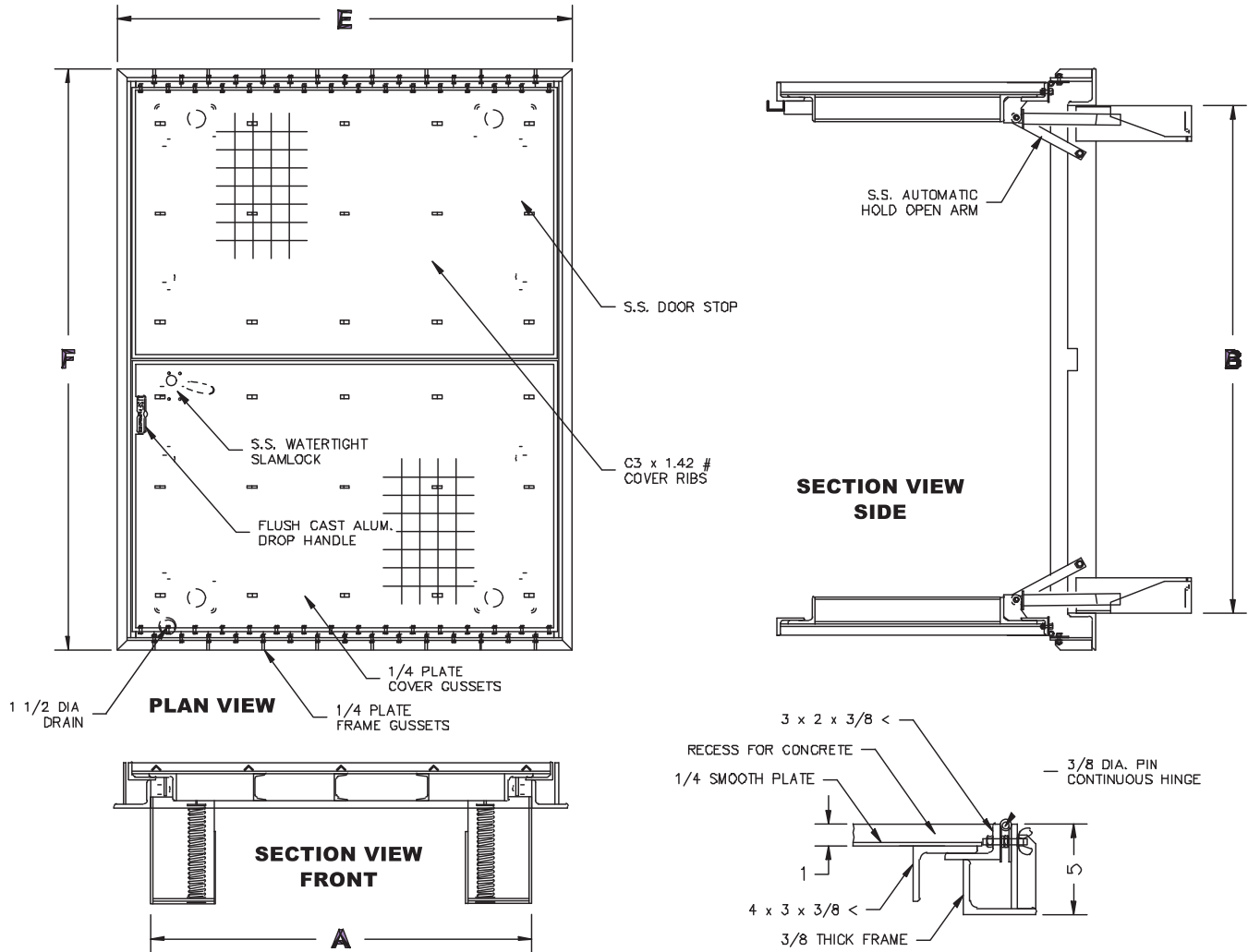


228 Park Ave S # 76520, New York NY 10003-1502, United States
 www.BestAccessDoors.com | sales@bestaccessdoors.com
 Tel.: 1-800-483-0823 | Fax: 1-888-828-6021

BA-HFRT-1

1" RECESSED FOR CERAMIC TILE/ CONCRETE FLOOR DOOR - DOUBLE LEAF

NOMINAL DOOR SIZE	FRAME OPENING		CLEAR OPENING		OVERALL SIZE		WEIGHT
in. (mm)	A in. (mm)	B in. (mm)	C in. (mm)	D in. (mm)	E in. (mm)	F in. (mm)	LBS. (KG)
48 x 48 (1220 x 1220)	48 (1220)	48 (1220)	47 (1193)	48 (1220)	56 (1422)	56 (1422)	195 (89)
48 x 72 (1220 x 1829)	48 (1220)	72 (1828)	47 (1193)	72 (1828)	56 (1422)	80 (2032)	265 (120)
60 x 60 (1524 x 1524)	60 (1524)	60 (1524)	59 (1498)	60 (1524)	68 (1727)	68 (1727)	275 (125)



NOTES:
 1- MATERIAL: ALUMINUM
 2- LOADING: 150 LBS. PER SQ. FT.
 3- 316 STAINLESS STEEL BOLTS
 HINGES AND HOLD OPEN ARM

JOB NAME:
 CUSTOMER:

APPROVED BY:
 DATE: