



Quality Access Doors- FAST!

SUBMITTAL/TECHNICAL DATA SHEET

SPECIFICATION

BENEFITS:

- Easily installs in minutes with non-penetrating attachments using standard tools
- Telescoping Rails that fit all standard single leaf hatch sizes and many custom sizes
- Installs on existing hatches with cap flashings from ANY manufacturer
- Durable/Sturdy Metal Fabrication
- Durable safety yellow powder coat to withstand the elements
- Structural aluminum square tubing
- 5 year warranty

COMPATIBILITY

(NOMINAL HATCH WIDTH X LENGTH)
33" X 30.5" - MINIMUM
58" X 52" - MAXIMUM

Rail height meets 42" requirement

Displayed dimensions are outside dimensions of curb, not nominal.

Safety rail to be attached so that gate exits opposite the hinged side of the roof hatch

FEATURES

- Self closing hinges
- Powder coated safety yellow
- Slotted corner bracket holes for universal compatibility and ease of installation
- Rail and gate telescope to accommodate multiple hatch sizes

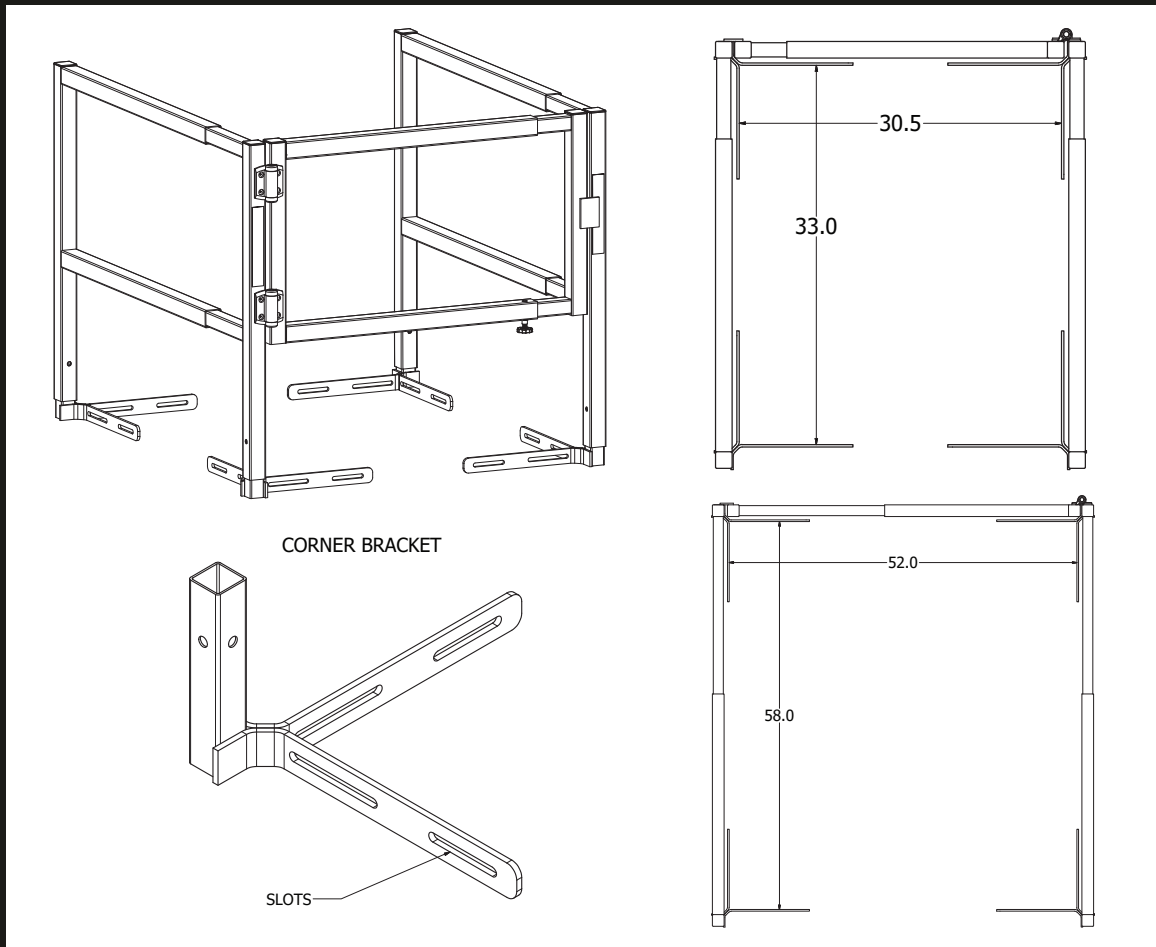
For a complete list of options visit www.BestAccessDoors.com



SKU: **BA-MSTR**
RETROFIT SAFETY RAIL

■ DIMENSIONS AND APPEARANCE

>> [CLICK TO VIEW ADDITIONAL DETAILS AND PRICING <<](#)



■ PROJECT DATA

Custom Sizes Available - Fast!

Scan or Click



PROJECT NAME :	QTY	W	H	OPTIONS
ARCHITECT :				
DEALER :				
CONTRACTOR :				
LOCATION :	SPECIAL INSTRUCTIONS :			
DATE :	SUBMITTAL APPROVAL : (signature or stamp)			
TAGGING INSTRUCTIONS :				

To view Pricing and Additional Product Info.

TELEPHONE:
1-800-483-0823
FAX:
1-888-828-6021



228 PARK AVE. S. #76520
NEW YORK, NY, 10003



WEBSITE:
www.BestAccessDoors.com
E-MAIL:
info@bestaccessdoors.com



Quality Access Doors- FAST!

SUBMITTAL/TECHNICAL DATA SHEET

SPECIFICATION

BENEFITS:

- Easily installs in minutes with non-penetrating attachments using standard tools
- Telescoping Rails that fit all standard single leaf hatch sizes and many custom sizes
- Installs on existing hatches with cap flashings from ANY manufacturer
- Durable/Sturdy Metal Fabrication
- Durable safety yellow powder coat to withstand the elements
- Structural aluminum square tubing
- 5 year warranty

COMPATIBILITY

(NOMINAL HATCH WIDTH X LENGTH)

30.5" X 48" - MINIMUM

52" X 70" - MAXIMUM

Rail height meets 42" requirement

Displayed dimensions are outside dimensions of curb, not nominal.

Safety rail to be attached so that gate exits opposite the hinged side of the roof hatch

FEATURES

- Self closing hinges
- Powder coated safety yellow
- Slotted corner bracket holes for universal compatibility and ease of installation
- Rail and gate telescope to accommodate multiple hatch sizes

For a complete list of options visit www.BestAccessDoors.com

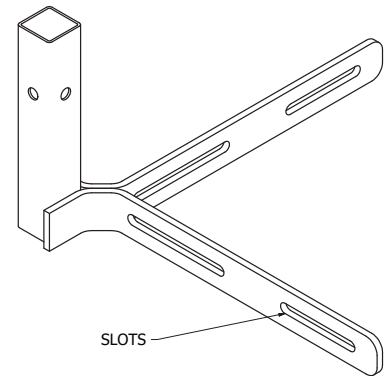
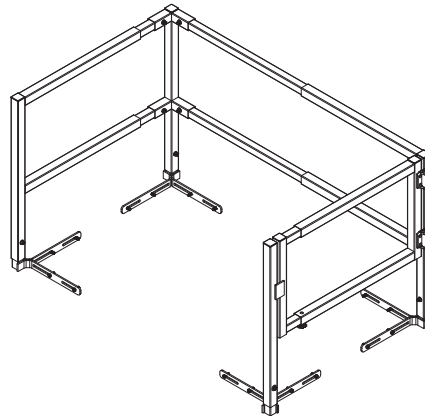
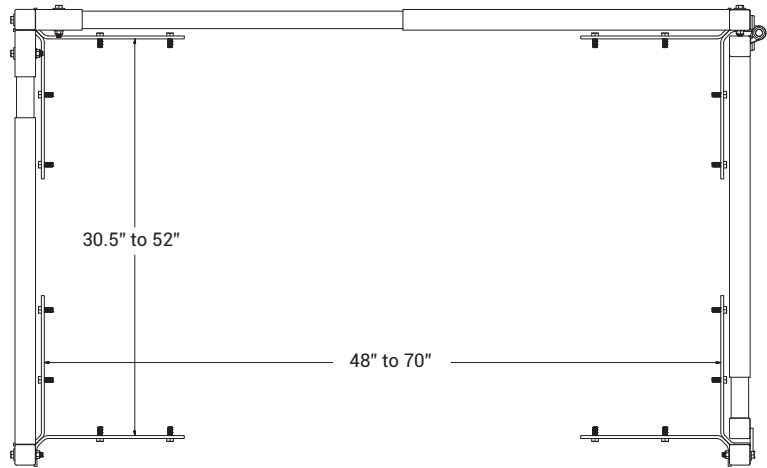
SKU: **BA-MSTR**

RETROFIT SAFETY RAIL - MEDIUM



■ DIMENSIONS AND APPEARANCE

>> [CLICK TO VIEW ADDITIONAL DETAILS AND PRICING <<](#)



■ PROJECT DATA

Custom Sizes Available - Fast!

PROJECT NAME :	QTY	W	H	OPTIONS
ARCHITECT :				
DEALER :				
CONTRACTOR :				
LOCATION :	SPECIAL INSTRUCTIONS :			
DATE :	SUBMITTAL APPROVAL : (signature or stamp)			
TAGGING INSTRUCTIONS :				

Scan or Click



To view Pricing and Additional Product Info.

TELEPHONE:
1-800-483-0823
FAX:
1-888-828-6021



228 PARK AVE. S. #76520
NEW YORK, NY, 10003



WEBSITE:
www.BestAccessDoors.com
E-MAIL:
info@bestaccessdoors.com



Quality Access Doors- FAST!

SUBMITTAL/TECHNICAL DATA SHEET

SPECIFICATION

BENEFITS:

- Easily installs in minutes with non-penetrating attachments using standard tools
- Telescoping Rails that fit all standard single leaf hatch sizes and many custom sizes
- Installs on existing hatches with cap flashings from ANY manufacturer
- Durable/Sturdy Metal Fabrication
- Durable safety yellow powder coat to withstand the elements
- Structural aluminum square tubing
- 5 year warranty

COMPATIBILITY

(NOMINAL HATCH WIDTH X LENGTH)
 30.5" X 75.25" - MINIMUM
 52" X 110" - MAXIMUM

Rail height meets 42" requirement

Displayed dimensions are outside dimensions of curb, not nominal.

Safety rail to be attached so that gate exits opposite the hinged side of the roof hatch

FEATURES

- Self closing hinges
- Powder coated safety yellow
- Slotted corner bracket holes for universal compatibility and ease of installation
- Rail and gate telescope to accommodate multiple hatch sizes

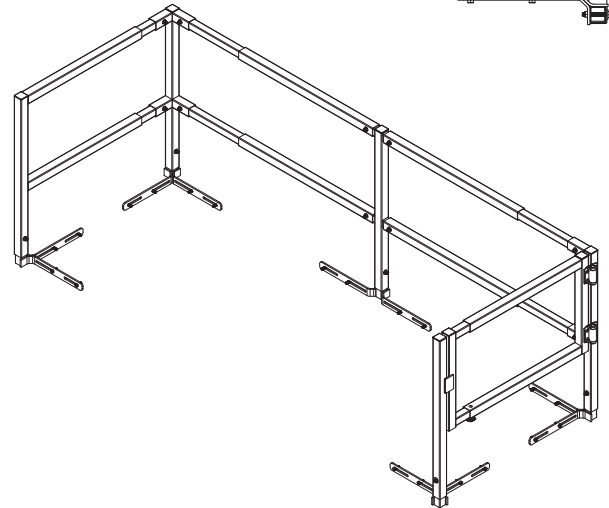
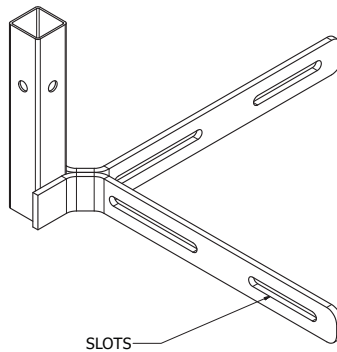
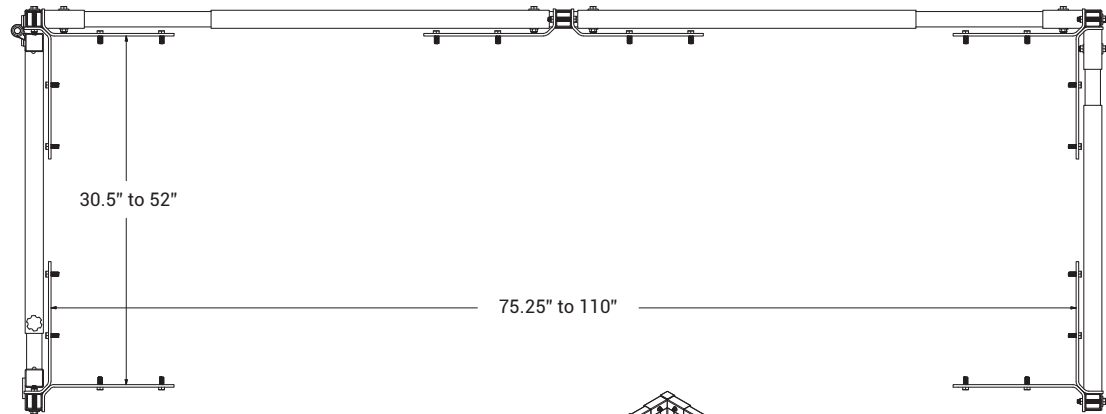
For a complete list of options visit www.BestAccessDoors.com

SKU: **BA-MSTR**
RETROFIT SAFETY RAIL - LARGE



DIMENSIONS AND APPEARANCE

>> [CLICK TO VIEW ADDITIONAL DETAILS AND PRICING <<](#)



PROJECT DATA

Custom Sizes Available - Fast!

PROJECT NAME :	QTY	W	H	OPTIONS
ARCHITECT :				
DEALER :				
CONTRACTOR :				
LOCATION :	SPECIAL INSTRUCTIONS :			
DATE :	SUBMITTAL APPROVAL : (signature or stamp)			
TAGGING INSTRUCTIONS :				

Scan or Click



To view Pricing and Additional Product Info.

TELEPHONE:
1-800-483-0823
 FAX:
1-888-828-6021



228 PARK AVE. S. #76520
 NEW YORK, NY, 10003



WEBSITE:
www.BestAccessDoors.com
 E-MAIL:
info@bestaccessdoors.com