



Quality Access Doors- FAST!

SUBMITTAL/TECHNICAL DATA SHEET

SKU: **BA-MX-PL**

INSULATED EXTERIOR ACCESS DOOR

FOR ALL TYPES OF CONSTRUCTION



SPECIFICATION

CONSTRUCTION:

- Frame shall be 18 gauge galvanized steel.
- Door shall be 18 gauge galvanized steel.
- Door shall be welded, watertight pan.
- Frame shall be surrounded by 22 gauge expansion casing bead with metal lath.
- Gasketing between door and frame 3/8" wide by 1/8" thick closed cell neoprene gasketing.
- Insulation shall be 1" thick polystyrene w/ 5.0 R-value @ 75 degree F temperature
- Hinge shall be continuous galvanized piano hinge.
- Latches shall be Lift & Turn Compression Latch including cup sealing gasket finished in textured chrome. Keyed.
- Finish shall be prime coat of rust inhibitive electrostatic powder, baked white enamel.

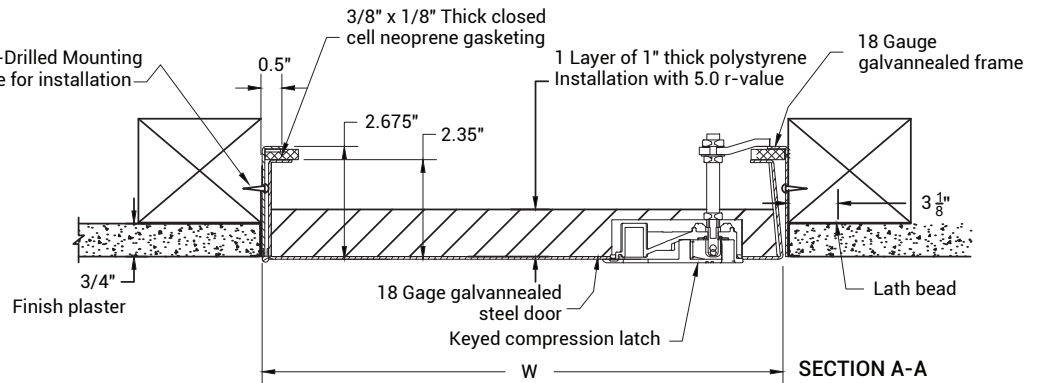
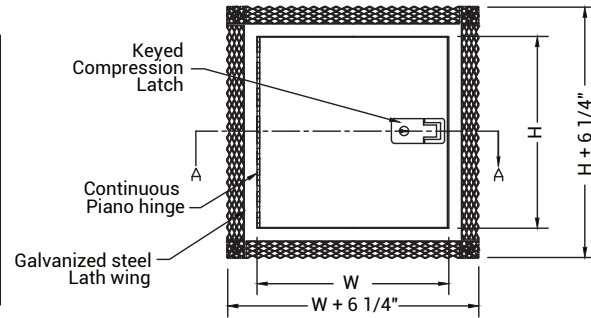
DIMENSIONS AND APPEARANCE

>> CLICK TO VIEW ADDITIONAL DETAILS AND PRICING <<

STANDARD SIZES (Special sizes on request)

DOOR SIZE H X W (IN.)	WALL/CEILING OPENING (IN.)	NUMBER OF STUD LATCHES	SHIP WT. (LBS.)
12 x 12	12 3/8 x 12 3/8	1	6.3
18 x 18	18 3/8 x 18 3/8	1	10.5
24 x 24	24 3/8 x 24 3/8	2	16.0
30 x 22	30 3/8 x 22 3/8	2	18.0
30 x 30	30 3/8 x 30 3/8	2	27.0
36 x 24	36 3/8 x 24 3/8	2	24.0
36 x 36	36 3/8 x 36 3/8	2	36.0

*AVAILABLE IN STAINLESS STEEL



For a complete list of options visit www.BestAccessDoors.com

PROJECT DATA

Custom Sizes Available - Fast!

PROJECT NAME :	QTY	W	H	OPTIONS
ARCHITECT :				
DEALER :				
CONTRACTOR :				
LOCATION :	SPECIAL INSTRUCTIONS :			
DATE :	SUBMITTAL APPROVAL : (signature or stamp)			
TAGGING INSTRUCTIONS :				

Scan or Click



To view Pricing and Additional Product Info.

TELEPHONE:
1-800-483-0823
FAX:
1-888-828-6021



228 PARK AVE. S. #76520
NEW YORK, NY, 10003



WEBSITE:
www.BestAccessDoors.com
E-MAIL:
info@bestaccessdoors.com