

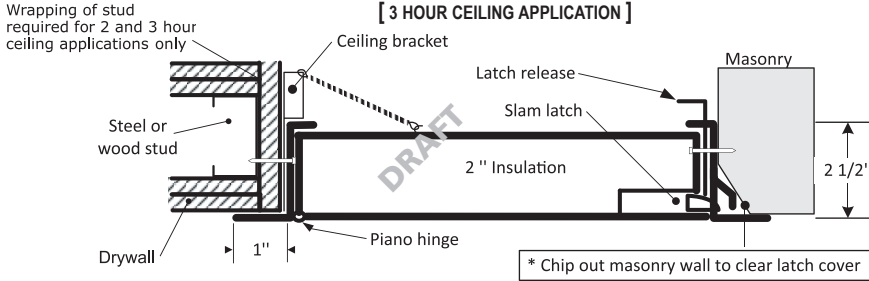


FIRE RATED INSULATED ACCESS DOOR

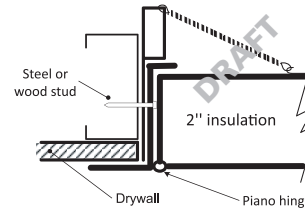
For All Surface Types

BA-PFI

INSTALLATION: WALLS AND CEILINGS



[1 HOUR CEILING APPLICATION]

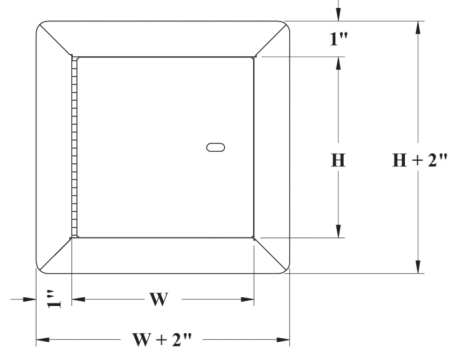


Authorities Having Jurisdiction (AHJ) should be consulted in all cases as to the particular requirements covering the installation and use of fire rated access doors.

DIMENSIONS AND APPEARANCE

DOOR SIZE W x H inches (mm)	NUMBER OF LOCKS	WEIGHT LBS KG
8 x 8 (203 x 203)	1	7 3.2
10 x 10 (254 x 254)	1	8 3.6
12 x 12 (304 x 304)	1	10 4.5
14 x 14 (355 x 355)	1	12 5.4
16 x 16 (406 x 406)	1	14 6.4
18 x 18 (457 x 457)	1	17 7.7
22 x 22 (558 x 558)	1	20 9.1
22 x 30 (558 x 762)	1	30 13.6
22 x 36 (558 x 914)	2	34 15.5
24 x 24 (609 x 609)	1	28 12.7
24 x 36 (609 x 914)	2	36 16.4
* 24 x 48 (609 x 1219)	2	48 21.8
* 30 x 30 (762 x 762)	1	40 18.1
* 32 x 32 (812 x 812)	2	43 19.5
* 36 x 36 (914 x 914)	2	50 22.7
* 48 x 48 (1219 x 1219)	2	83 37.7

LEED ready: this product contributes to LEED® credits.



rough wall opening is door size + 1/4" or + 6mm
*not available for ceiling rating (maximum 24"x36")



Your odd sizes:
Made in 5 days

DESCRIPTION AND MATERIAL SPECIFICATION

FIRE RATING: For installation in vertical wall assemblies:
Certified to Standards: UBC 7-2 (1997), UI 10B (1997), UI 10B (2009), nfp a 252 (2003), nfp a 252 (2008), nfp a 252 (2012), Can/UIC s104 (r1985), Can/UIC s104 (2010).
Rating Achieved: 3 hours, neutral/negative pressure.
Maximum Size: size: 48" wide x 48" high (1219 mm x 1219 mm). maximum area of 2304 in². Tolerance on height and width limitation is ± 3" (76 mm) as long as the area does not exceed 2304 in².
Temperature Rise: 250°F (121°C) after 30 min. 450°F (232°C) after 60 min.

FIRE RATING: For installation in horizontal ceiling assemblies:
Certified to Standards: astm e119 (2012), Can/UIC s101 (2007).
Rating Achieved: 3 hours in non-combustible construction. 1 hour in combustible construction.
Maximum size: 24" x 36" (hinges & latch on 36" long sides) (610 mm x 914 mm).
Tolerances on dimension limitations are ± 3" (76 mm) as long as the area does not exceed 864 in².
Temperature rise: not applicable.

- Material:** 16 gauge cold rolled steel frame and 20 gauge galvalneal steel door
 - Insulation:** mineral wool
 - Hinge:** continuous piano hinge
 - Lock / latch:** self latching tool-key operated slam latch and/or ring operated slam latch, both included
 - Inside panel release:** standard on all doors over 12" x 12"
 - Automatic panel closer:** standard on all doors
 - Finish:** high quality white powder coat primer
 - Packaging:** individually wrapped, 1 per box
- POPULAR OPTIONS** For complete list of options go to: www.BestAccessDoors.com
- Material:** stainless steel #4 (brushed finish)
 - Lock / latch:** handle operated slam latch, mortise preparation for cylinder (cylinder optional), hex head slam latch, mortise deadbolt lock
 - Masonry anchor:** available on all sizes



Click here to view the Products

PROJECT DATA

projEct name:	Qty			
arChiteCt :				
dealer:				
ContraCt or:				
loCa tion:				
date:				
t agging instrUCtions:				