

BA-RGRH SAFETY RAILS

SAFETY ACCESSORIES Roof Hatch Rail System

Safety First

Caution is the key when working in high elevations and that is where most roof and ceiling access is found. Acudor Safety Rails are designed for all Roof Hatch applications to assist in making every work space as safe as possible.

Features

- Railing system surrounds all sides of the opening
- (Self Closing Gate) Spring tension gate keeps the opening closed after pass through
- Easy to install
- Assembled on site, no special tools necessary
- Safe, easy and economic access
- Standard Finish is Safety Yellow Painted, also available in Galvanized finish

Components

Material: Steel ASTM A36

Rails: Steel ASTM A36

Joiners: Steel ASTM A36

Rail Width: Various lengths to fit the multiple sizes of openings

Weight: Standard rail lengths range from 8lbs. to 11lbs.

Compliance

- Designs complying OSHA standards
- Other specifications available

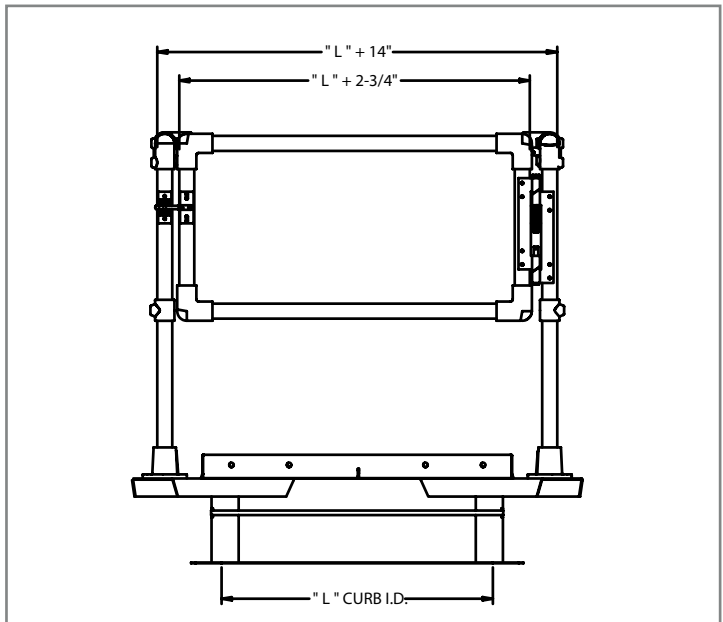
RAIL SYSTEM STANDARD SIZES

(other sizes available upon request)

Nominal Opening W&H		Weight per System Kit	
inches	mm	lbs.	kg.
24 x 24	610 x 610	60	27.2
24 x 30	610 x 762	70	31.8
24 x 36	610 x 914	75	34
30 x 30	762 x 762	80	36.4
30 x 36	762 x 914	90	41
42 x 42	1067 x 1067	125	56.8
48 x 48	1220 x 1220	155	70.4
48 x 72	1220 x 1829	210	95.3
60 x 60	1524 x 1524	220	98.9



ROOF HATCH & SAFETY RAILS FRONT VIEW
(ROOF HATCH COVER REMOVED FOR A BETTER VIEW OF THE RAIL SYSTEM)



NOTE: Railing product image shown with 36" x 36" Aluminum Roof Hatch. Roof Hatch products are sold separately. For more information on Roof Hatches and Smoke Vents, contact Acudor at "www.acudor.com" - info@acudor.com

For detailed specifications see submittal sheet

8

7

6

5



4

3

2

1

D

D

ROOF HATCH & SAFETY RAILS
FRONT VIEW
(ROOF HATCH COVER REMOVED FOR A
BETTER VIEW OF THE RAIL SYSTEM)

ROOF HATCH & SAFETY RAILS
SIDE VIEW

C

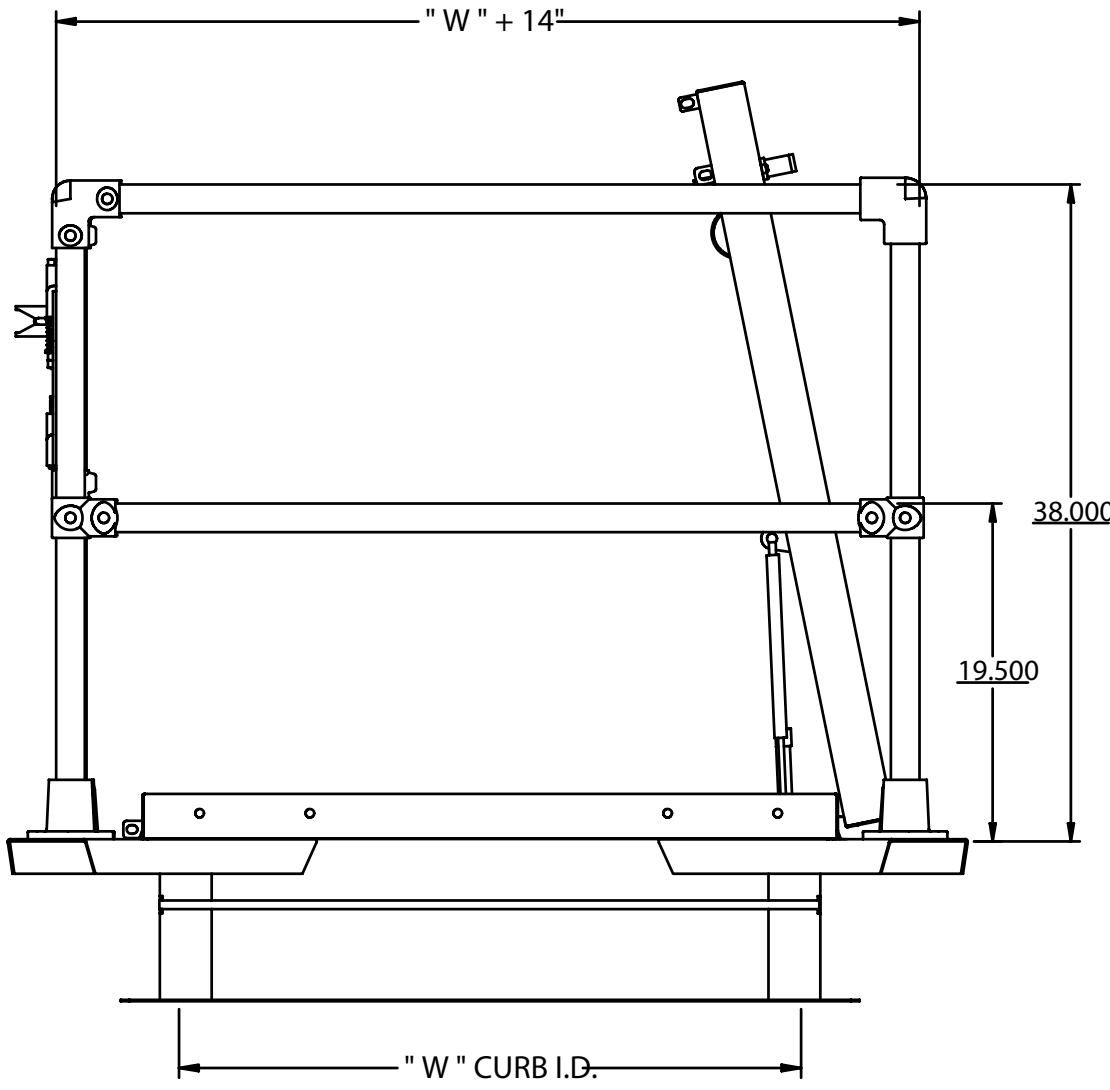
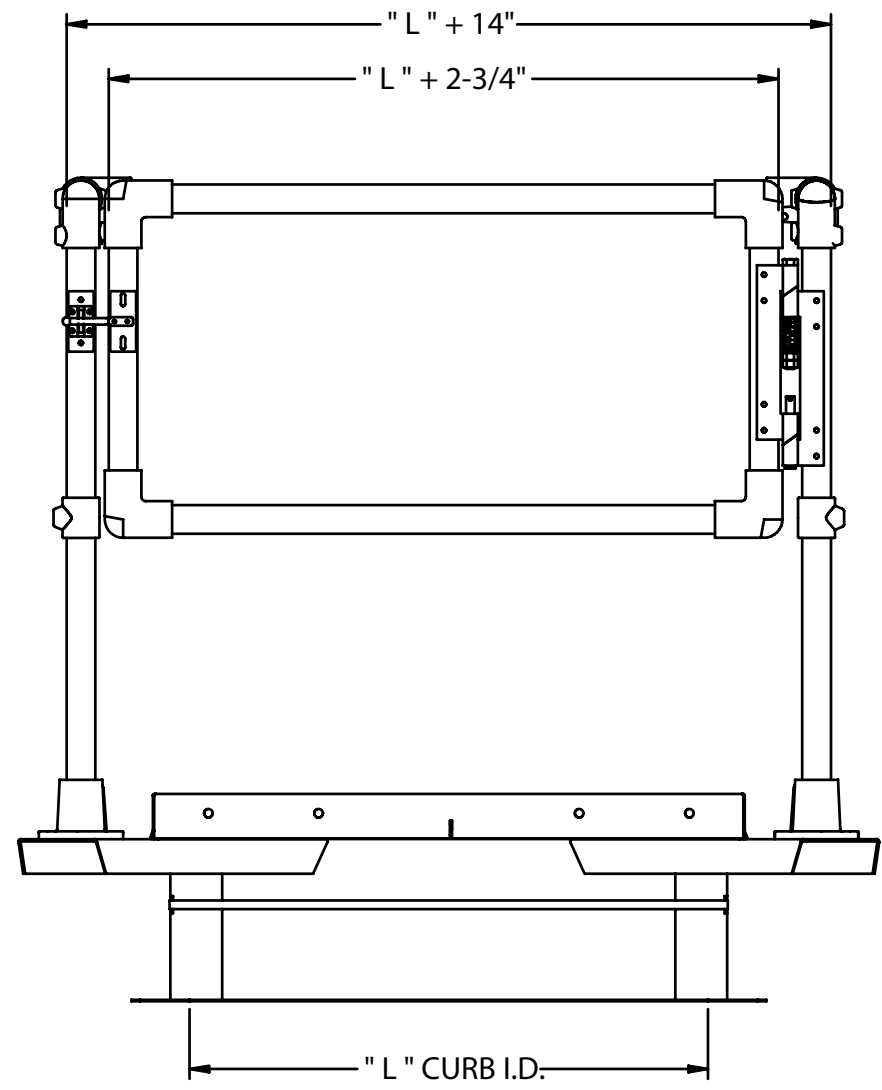
C

B

B

A

A



SAFETY RAILS SIDES (4x)
O1.66 ODx .100 WALL STEEL TUBE

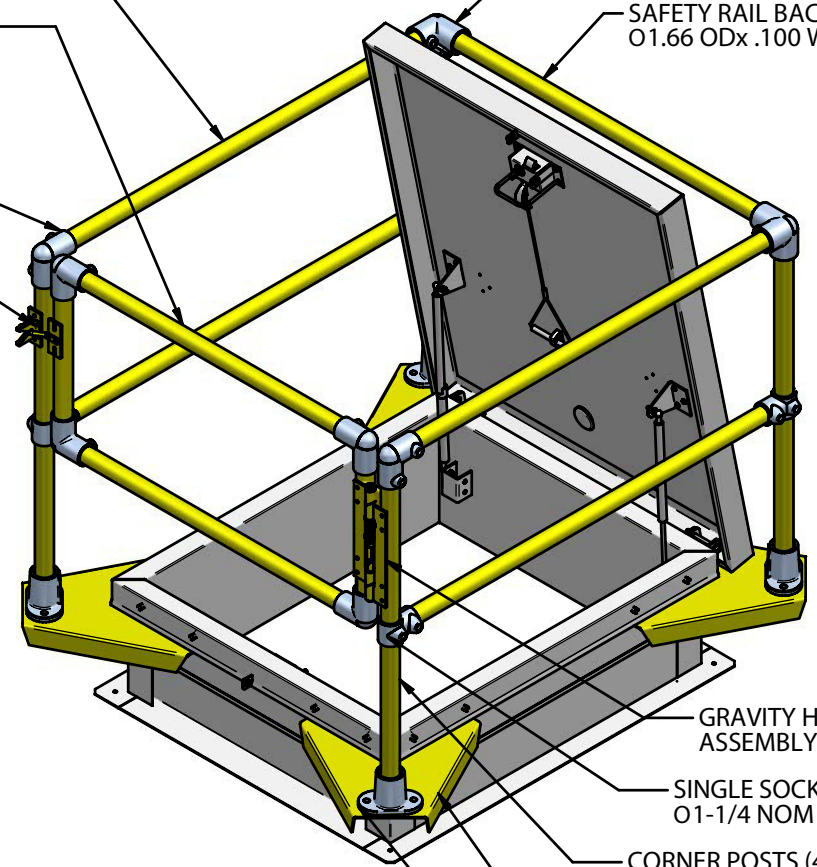
SELF LATCHING GATE (1)
O1.66 ODx .100 WALL STEEL TUBES

ELBOW FITTING (6x)
O1-1/4 NOM

SELF CLOSING LATCH
ASSEMBLY (1)

SIDE OUTLET ELBOW (2x)
O1-1/4 NOM

SAFETY RAIL BACK (1x)
O1.66 ODx .100 WALL STEEL TUBE



GRAVITY HINGE
ASSEMBLY (1 PAIR)

SINGLE SOCKET TEE (4x)
O1-1/4 NOM

CORNER POSTS (4x)
O1.66 ODx .100 WALL STEEL TUBE

MOUNTING BRACKETS (4x)
W/ 3/8-16 X 3/4 HEX BOLT ST/ST (10x)

RAILING FLANGE (4x)
O1-1/4 NOM

NO.	DATE	REVISION
REVISIONS		

<p>These are the sole and exclusive property of Nelson Industrial Inc. and the information contained herein may be used only by authorized agents. The use of these drawings for unintended applications, unauthorized alterations performed by third parties - on electronic files or hard copies - as well as disclosure and dissemination of information without prior consent are strictly prohibited and will absolve Nelson Industrial Inc. of any resulting liability.</p>	<p>STANDARD MFG. TOLERANCES ARE UP TO 40" LG +/- .015 OVER 40" LG +/- .031 ANGLES +/- 2.0 DEG. UNLESS OTHERWISE SPECIFIED ON THE DRAWING</p>	<p>SET BACK N/A</p>	<p>INS. BEND RADIUS N/A</p>	<p>PART NO.</p>	<p>DESCRIPTION ROOF HATCH GUARD SYSTEM SAFETY RAILS - OSHA</p>	
	<p>ALL DIMENSIONS SHOWN IN INCHES TAKEN FROM OUTSIDE UNLESS OTHERWISE SPECIFIED. FORM ALL PARTS WITH BURR TO INSIDE. BLANK SHOWN BURR SIDE DOWN</p>	<p>MATERIAL SAFETY YELLOW ALL TUBES</p>	<p>SCALE SHEET SCALE 1:8</p>	<p>DATE 2/4/2016</p>	<p>DESIGN EJudet</p>	<p>228 Park Ave S # 76520, New York NY 10003-1502, United States www.BestAccessDoors.com sales@bestaccessdoors.com Tel.: 1-800-483-0823 Fax: 1-888-828-6021</p>
	<p>PROJECTION THIRD ANGLE</p>	<p>FINISH</p>	<p>DATE</p>	<p>DATE</p>	<p>APPROVED B. B.</p>	<p>BEST ACCESS DOORS</p>
	<p>DRAWING PATH J:\Roof Hatches\RH-SUBMITTAL DWGS\#RGS-OSHA-SLFG-APL.dft</p>	<p>RELEASE DATE</p>	<p>SIZE B</p>	<p>DWG NO. #RGS-OSHA-SLFG-APL</p>	<p>SHEET 1 of 1</p>	<p>REV A</p>

8

7

6

5



4

3

2

1