



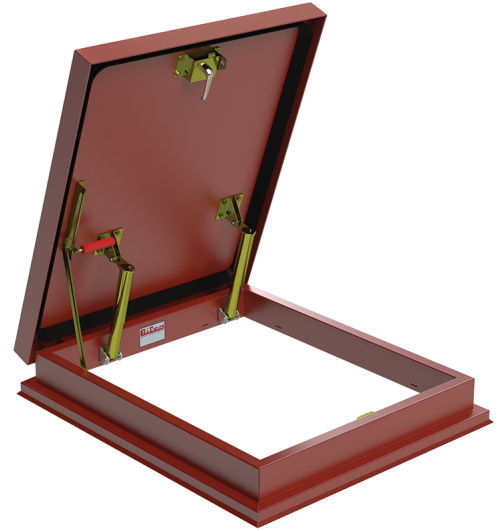
Quality Access Doors - FAST!

# SUBMITTAL/TECHNICAL DATA SHEET

SKU: BA-S-20VM

## SINGLE LEAF ROOF SCUTTLE

TYPE VM



### SPECIFICATIONS

- Frame w/ flashing (corners full welded)
  - 2014 - 14 gauge P.B. Galv. Steel
  - 50VM - 11 gauge aluminum
- Pintle hinge
- Gasket (all around cover)
- Cover gauge
  - 20VM - 14 gauge P.B. Galv. Steel
  - 50VM - 11 gauge aluminum
- Cover liner
  - 20VM - 22 gauge P.B. Galv. Steel
  - 50VM - 18 gauge aluminum
- Spring lifting mechanism
- 1" rigid fiberglass insulation
- Slam latch
- Inside and outside handles w/padlock hasps
- Arm guide bracket
- 1" thick fiberglass cover insulation
- Hold open arm w/red vinyl grip
- Neoprene gasket
- Lock strike & padlock hasp
- Anchor tabs (QTY & location varies w/size)
- Guide arm (If req'd)

#### SHOP FINISH:

STEEL: Red oxide primer

ALUMINUM: Mill finish

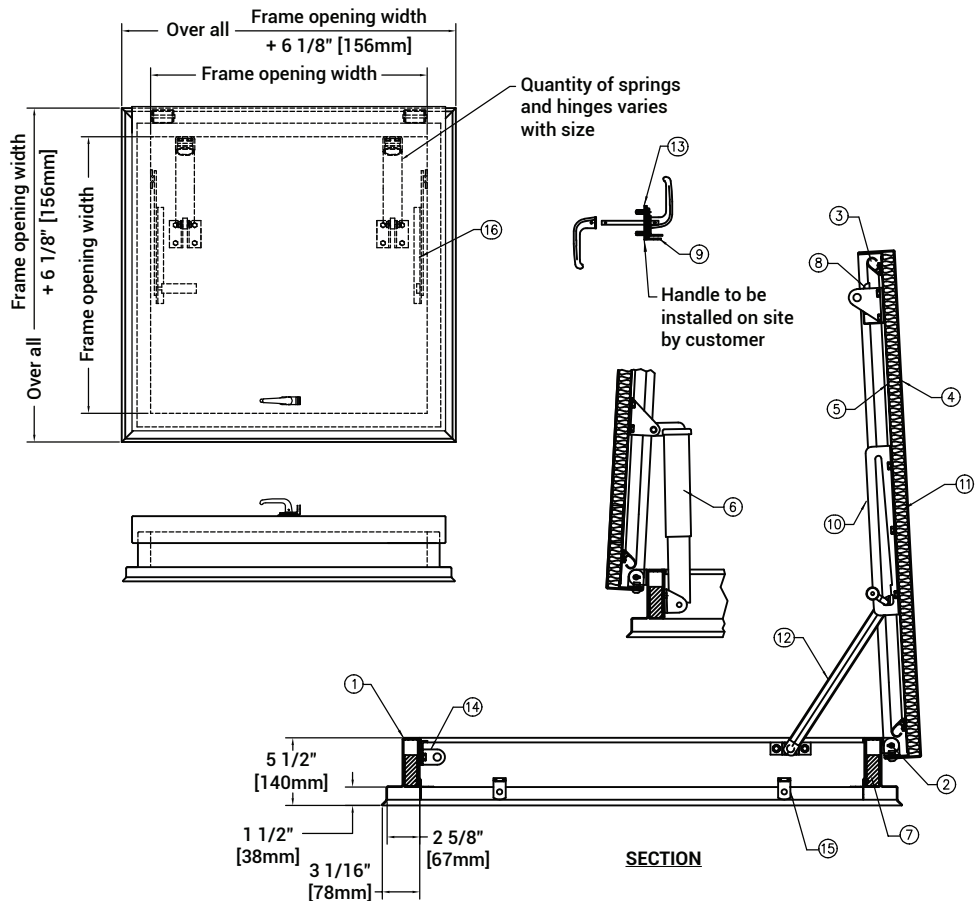
HARDWARE: Non-corrosive materials  
(Unless otherwise specified)

This product may be installed on either a flat or sloping roof. When installed on a slope, the hinge side must run parallel with the slope. If slope exceeds 30', advise factory for modification

For a complete list of options visit  
[www.BestAccessDoors.com](http://www.BestAccessDoors.com)

### DIMENSIONS AND APPEARANCE

>> CLICK TO VIEW ADDITIONAL DETAILS AND PRICING <<



| QTY | TYPE    | QTY | TYPE    | SIZE<br>WIDTH X LENGTH                       |
|-----|---------|-----|---------|--|
| 1   | S-20VM  | 1   | S-50VM  | 3'-0" X 2'-6"<br>[914MM] X [762MM]           |
| 1   | E-20VM  | 1   | E-50VM  | 3'-0" X 3'-0"<br>[914MM] X [914MM]           |
| 1   | NB-20VM | 1   | NB-50VM | 2'-6" X 4'-6"<br>[762MM] X [1370MM]          |
| 1   | L-20VM  | 1   | L-50VM  | 2'-6" X 8'-0"<br>[762MM] X [2440MM]          |
| 1   | EW-20VM | 1   | EW-50VM | 3'-3 3/8" X 3'-3 3/8"<br>[1000MM] X [1000MM] |

### PROJECT DATA

Custom Sizes Available - Fast!

Scan or Click



To view Pricing and Additional Product Info.

|                        |  |   |   |         |
|------------------------|--|---|---|---------|
| PROJECT NAME :         | QTY  | W | H | OPTIONS |
| ARCHITECT :            |  |   |   |         |
| DEALER :               |  |   |   |         |
| CONTRACTOR :           |  |   |   |         |
| LOCATION :             | SPECIAL INSTRUCTIONS :                       |   |   |         |
| DATE :                 |  |   |   |         |
| TAGGING INSTRUCTIONS : | SUBMITTAL APPROVAL :<br>(signature or stamp) |   |   |         |

TELEPHONE:  
1-800-483-0823

FAX:  
1-888-828-6021



228 PARK AVE. S. #76520  
NEW YORK, NY, 10003



WEBSITE:  
[www.BestAccessDoors.com](http://www.BestAccessDoors.com)

E-MAIL:  
[info@bestaccessdoors.com](mailto:info@bestaccessdoors.com)



# SUBMITTAL

## STANDARD SIZES AND SHIPPING WEIGHTS

TELEPHONE:  
1-800-483-0823  
FAX:  
1-888-828-6021

228 PARK AVE. S. #76520  
NEW YORK, NY, 10003

WEBSITE:  
www.BestAccessDoors.com  
E-MAIL:  
info@bestaccessdoors.com

# BA-S-20VM

# ROOF ACCESS HATCHES

| APPLICATION   | SIZE             |             | STEEL           |        |     | STEEL CURB & ALUMINUM COVER |        |     | ALUMINUM |        |     |                  |        |     | STAINLESS STEEL |        |     |
|---|------------------|-------------|-----------------|--------|-----|-----------------------------|--------|-----|----------|--------|-----|------------------|--------|-----|-----------------|--------|-----|
|   |                  |             |                 |        |     |                             |        |     | Standard |        |     | Thermally Broken |        |     |                 |        |     |
|   | (width x length) |             | Model           | Weight |     | Model                       | Weight |     | Model    | Weight |     | Model            | Weight |     | Model           | Weight |     |
|   | inches           | mm          |                 | lbs.   | kg. |                             | lbs.   | kg. |          | lbs.   | kg. |                  | lbs.   | kg. |                 | lbs.   | kg. |
| <b>Ladder Access</b><br><small>Type S is approved by Miami-Dade County</small>        | 36 X 30          | 914 X 762   | S-20            | 183    | 83  | S-40                        | 150    | 68  | S-50     | 110    | 50  | S-50TB           | 132    | 60  | S-90            | 183    | 83  |
|   | 36 X 36          | 914 X 914   | E-20            | 207    | 94  | E-40                        | 184    | 83  | E-50     | 112    | 51  | E-50TB           | 139    | 63  | E-90            | 207    | 94  |
| <b>Ladder Access with Dome Cover for natural daylight</b>                             | 36 X 30          | 914 X 762   | Not Available   |        |     | Consult Factory             |        |     | GS-50    | 115    | 52  | GS-50TB          | 141    | 64  | Not Available   |        |     |
| <b>Ship Stair Access</b><br><small>HZ = Miami-Dade Approved</small>                   | 30 X 54          | 762 X 1372  | NB-20           | 239    | 108 | NB-40                       | 190    | 86  | NB-50    | 139    | 63  | NB-50TB          | 175    | 79  | NB-90           | 239    | 108 |
|   | 30 X 54          | 762 X 1372  | NB-20HZ         | 239    | 108 | Consult Factory             |        |     | NB-50HZ  | 139    | 63  | Not Available    |        |     | Consult Factory |        |     |
| <b>Service Stair Access</b>   | 30 X 96          | 762 X 2438  | L-20            | 434    | 197 | L-40                        | 295    | 134 | L-50     | 253    | 115 | L-50TB           | 304    | 138 | L-90            | 434    | 197 |
| <b>VersaMount Design</b><br><small>Specify for installation on existing curbs</small> | 36 X 30          | 914 X 762   | S-20VM          | 152    | 69  | Consult Factory             |        |     | S-50VM   | 86     | 39  | S-50VMTB         | 125    | 57  | S-90VM          | 152    | 69  |
|   | 30 X 54          | 762 X 1372  | NB-20VM         | 180    | 82  | Consult Factory             |        |     | NB-50VM  | 100    | 45  | Consult Factory  |        |     | NB-90VM         | 180    | 82  |
|   | 30 X 96          | 762 X 2438  | L-20VM          | 320    | 145 | Consult Factory             |        |     | L-50VM   | 178    | 81  | Consult Factory  |        |     | L-90VM          | 320    | 145 |
| <b>Equipment Access*</b>  | 48 X 48          | 1219 X 1219 | Consult Factory |        |     | F-40                        | 275    | 125 | F-50     | 218    | 99  | F-50TB           | 278    | 126 | Consult Factory |        |     |
| <b>High Security</b>  | 36 X 30          | 914 X 762   | S-20C           | 386    | 175 | Consult Factory             |        |     | S-50C    | 150    | 68  | Not Available    |        |     | Consult Factory |        |     |
|   | 36 X 36          | 914 X 914   | E-20C           | 400    | 181 | Consult Factory             |        |     | E-50C    | 176    | 80  | Not Available    |        |     | Consult Factory |        |     |
|   | 30 X 54          | 762 X 1372  | NB-20C          | 475    | 215 | Consult Factory             |        |     | NB-50C   | 210    | 95  | Not Available    |        |     | Consult Factory |        |     |

\* Double leaf hatches can be fabricated in large custom sizes for oversized equipment. Contact Best Access Doors with your access requirements.  
Thermally broken roof hatches are not available in a double leaf design.

Custom sizes available, contact Best Access Doors with your custom requirements