



Quality Access Doors- FAST!

# SUBMITTAL/TECHNICAL DATA SHEET

## APPLICATION

An innovative surface mounted access door for all types of walls and ceilings

## FEATURES

- An exposed continuous piano hinge allows the door panel to open to 175 degrees
- There is no frame to extend into the wall or ceiling
- Perfect for access to odd size openings

## SPECIFICATIONS

**DOOR / DOOR FRAME:** Steel: 16 gauge, flush to frame with rounded safety corners and a one piece outer flange

**FRAME:** is one piece outer flange

**HINGE:** Exposed continuous piano hinge

**STANDARD LATCH:** Stainless steel screwdriver operated cam latch

**OPTIONAL LATCHES/LOCKS:** Cylinder lock & key, allen head cam latch, spanner head cam latch

**FINISH:** 5 stage iron phosphate preparation with White alkyd baked-on enamel

For a complete list of options visit [www.BestAccessDoors.com](http://www.BestAccessDoors.com)

SKU: **BA-SF-2000**

# SURFACE MOUNTED ACCESS DOOR



## DIMENSIONS AND APPEARANCE

>> CLICK TO VIEW ADDITIONAL DETAILS AND PRICING <<

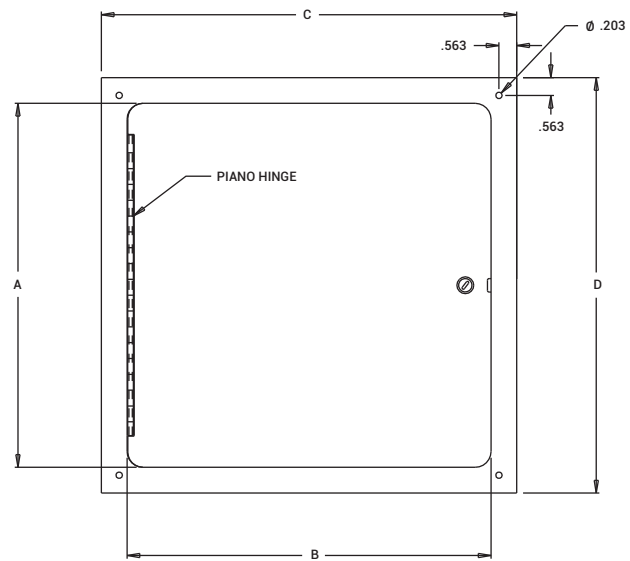
### STANDARD SIZES:

DOOR SIZE W x H INCHES (MM)	LATCHES	WEIGHT	
		LBS	KG
12 x 12 (305 x 305)	1	2.0	0.9
16 x 16 (406 x 406)	1	3.9	1.8
18 x 18 (457 x 457)	2	6.3	2.9
24 x 24 (610 x 610)	4	12.7	5.8

Wall opening is normal door size minus - 1/4" ( 6 mm)  
For detailed specifications see submittal sheet



MANUFACTURED BY ACUDOR



## PROJECT DATA

Custom Sizes Available - Fast!

Scan or Click



To view Pricing and Additional Product Info.

PROJECT NAME :	QTY	W	H	OPTIONS
ARCHITECT :				
DEALER :				
CONTRACTOR :				
LOCATION :	SPECIAL INSTRUCTIONS :			
DATE :				
TAGGING INSTRUCTIONS :	SUBMITTAL APPROVAL : (signature or stamp)			

TELEPHONE:  
1-800-483-0823  
FAX:  
1-888-828-6021



228 PARK AVE. S. #76520  
NEW YORK, NY, 10003

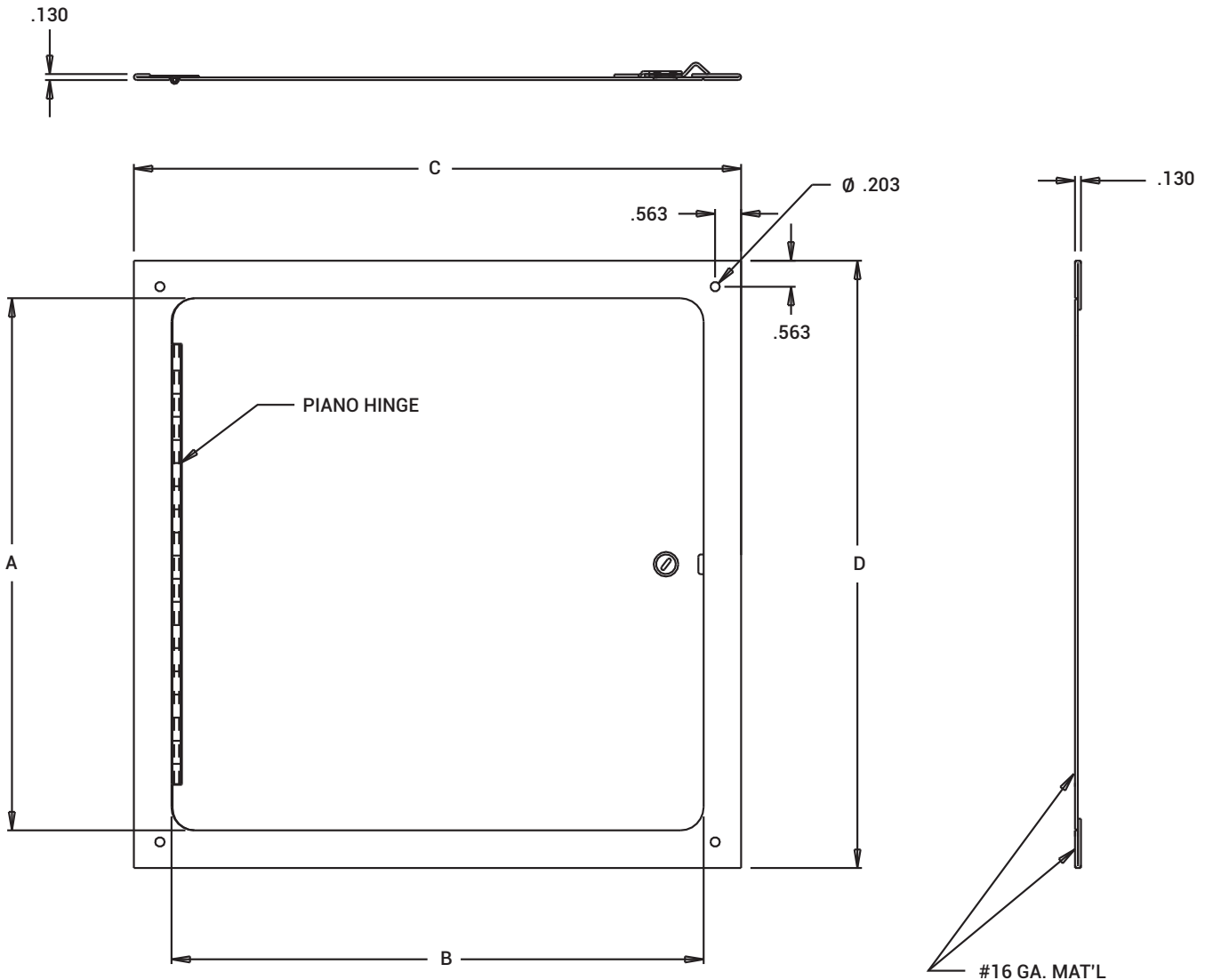


WEBSITE:  
[www.BestAccessDoors.com](http://www.BestAccessDoors.com)  
E-MAIL:  
[info@bestaccessdoors.com](mailto:info@bestaccessdoors.com)

# BA-SF-2000

# SURFACE MOUNTED

NOMINAL DOOR SIZE	A	B	C	D	WALL/CEILING OPENING	LATCH
Inches (mm)						
8 x 8 (203 x 203)	7.50 (190)	7.50 (190)	9.125 (406)	9.125 (406)	7.5 X 7.5 (191 X 191)	0
12 x 12 (305 x 305)	11.50 (292)	11.50 (292)	13.125 (508)	13.125 (508)	11.5 X 11.5 (292 X 292)	0
16 x 16 (406 x 406)	15.50 (394)	15.50 (394)	17.125 (559)	17.125 (559)	15.5 X 15.5 (394 X 394)	2
18 x 18 (457 x 457)	17.50 (445)	17.50 (445)	19.125 (711)	19.125 (711)	17.5 X 17.5 (444 X 444)	4
24 x 24 (610 x 610)	23.50 (597)	23.50 (597)	25.125 (711)	25.125 (711)	23.5 X 23.5 (497 X 497)	4



MANUFACTURED BY ACUDOR