



Quality Access Doors- FAST!

# SUBMITTAL/TECHNICAL DATA SHEET

## DESCRIPTION

The BA-STC Noise Containment and Sound Transmission Blocking Requirements for Walls with the US Patent.

## CONSTRUCTION

1. Frame shall be 16 gauge steel.
2. Door shall be 20 gauge steel.
3. Trim shall be 1" wide, one piece construction.
4. Gasketing between door and frame 3/8" wide by 1/8" thick closed cell neoprene gasketing.
5. Acoustical insulation shall be 2 3/8" thick.
6. Hinge shall be continuous piano hinge.
7. Latches shall be Lift & Turn Compression Latch finished in chrome with cup sealing gasket finished in chrome, keyed.
8. Finish shall be prime coat of rust inhibitive electrostatic powder, baked white enamel. Stainless steel shall have No. 4 finish.
9. Independently tested in accordance with ASTM: E1332, ASTM: E90, and ASTM: E413, and rated of STC 64 when installed according to manufacture's instruction.

- Judicial Settings; GSA Acoustic Isolation Ratings
- Learning Spaces; Music Rooms, Performing Spaces
- Healthcare; HIPAA Requirements for Patient Privacy
- LEED Enhanced Acoustical Performance Credits for Schools

SKU: **BA-STC**

# SOUND RATED ACCESS PANEL

FOR ALL TYPE OF CONSTRUCTION

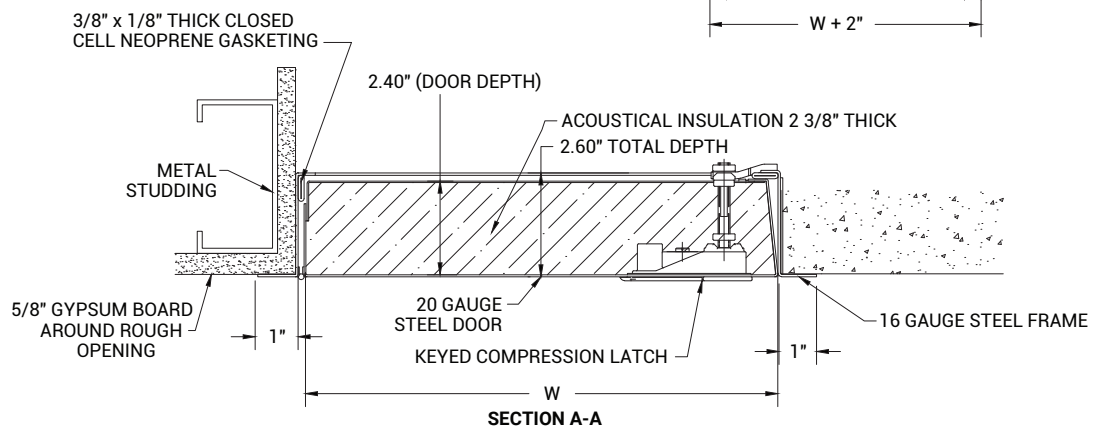
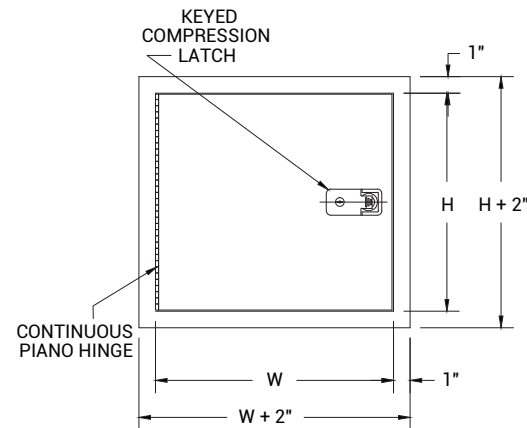


## ■ DIMENSIONS AND APPEARANCE >> CLICK TO VIEW ADDITIONAL DETAILS AND PRICING <<

STANDARD SIZES (Special Sizes on Request):

DOOR SIZE W" X H"	WALL/CEILING OPENING (IN.)	NUMBER OF STUD LATCHES	SHIP WEIGHT LBS.
12" X 12"	12 3/8 X 12 3/8	1	6.3 LBS
18" X 18"	18 3/8 X 18 3/8	1	10.5 LBS
24" X 24"	24 3/8 X 24 3/8	2	16.0 LBS

\*Available in Stainless Steel



For a complete list of options visit [www.BestAccessDoors.com](http://www.BestAccessDoors.com)

## ■ PROJECT DATA

Custom Sizes Available - Fast!

Scan or Click



To view Pricing and Additional Product Info.

PROJECT NAME :	QTY	W	H	OPTIONS
ARCHITECT :				
DEALER :				
CONTRACTOR :				
LOCATION :	SPECIAL INSTRUCTIONS :			
DATE :	SUBMITTAL APPROVAL : (signature or stamp)			
TAGGING INSTRUCTIONS :				

TELEPHONE:  
1-800-483-0823  
FAX:  
1-888-828-6021



228 PARK AVE. S. #76520  
NEW YORK, NY, 10003



WEBSITE:  
[www.BestAccessDoors.com](http://www.BestAccessDoors.com)  
E-MAIL:  
[info@bestaccessdoors.com](mailto:info@bestaccessdoors.com)