

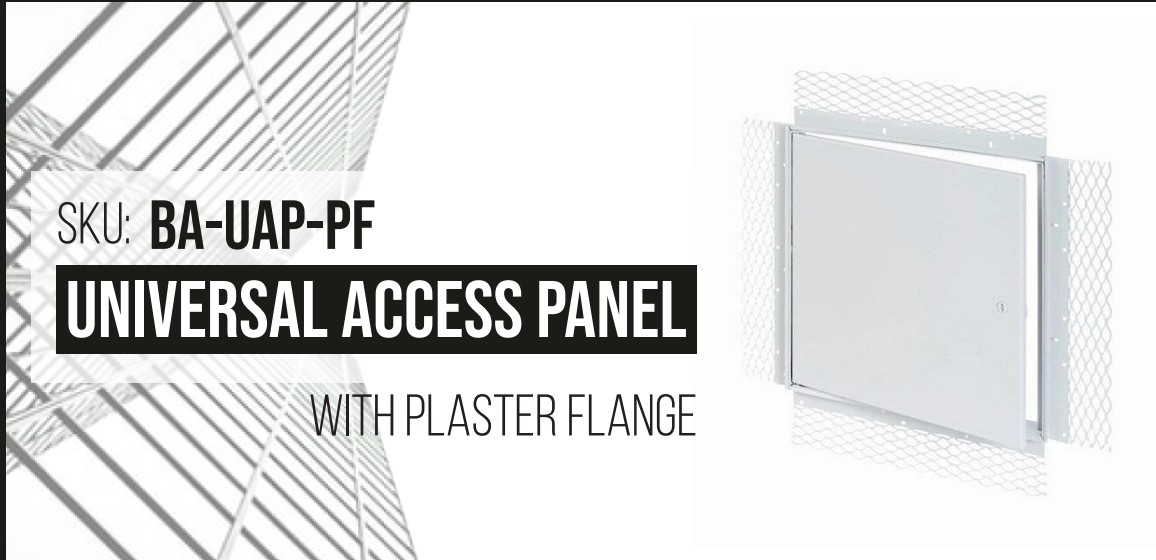


Quality Access Doors- FAST!

SUBMITTAL/TECHNICAL DATA SHEET

APPLICATION

- Simple to install and easy to operate
- Cost-effective choice for large structures – stock up on this one!
- Designed for airports, stadiums, and large capacity buildings
- Reduces sagging and requires fewer locks
- Flush, professional finish for commercial use
- Provides easy access for hassle-free maintenance and repairs



SKU: **BA-UAP-PF**

UNIVERSAL ACCESS PANEL

WITH PLASTER FLANGE

SPECIFICATIONS

MATERIAL: 16-gauge cold rolled steel door and 22-gauge galvanized steel drywall bead flange

DOOR: Flush to frame with reinforced edges

FRAME: 1 1/2" in depth, made of cold rolled steel

FLANGE: 22-gauge galvanized steel, 1" drywall bead flange

HINGE: Cold rolled steel pin hinge

LATCH: Screwdriver operated cam latch in cold rolled steel

FINISH: High quality white powder coat primer

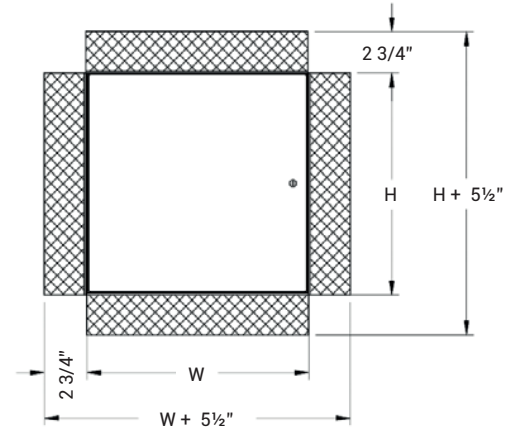
PACKAGING: Individually wrapped, 1 door per box

DIMENSIONS AND APPEARANCE

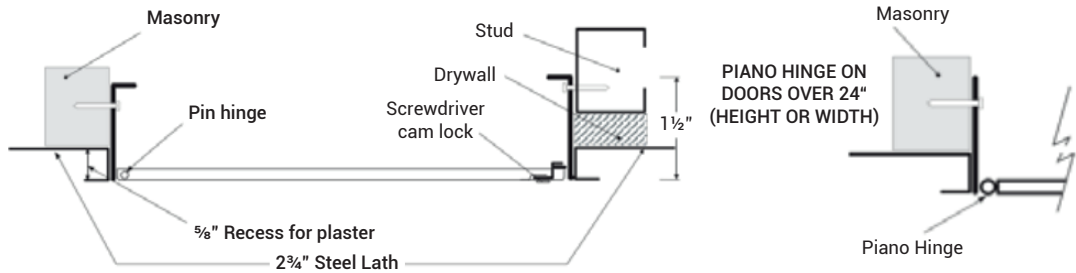
>> [CLICK TO VIEW ADDITIONAL DETAILS AND PRICING <<](#)

STANDARD SIZES:

DOOR SIZE W x H INCHES (MM)	LATCHES	WEIGHT	
		LBS	KG
8 x 8 (203 x 203)	1	3	1.4
10 x 10 (254 x 254)	1	4	1.8
12 x 12 (304 x 304)	1	5	2.3
14 x 14 (356 x 356)	1	7	3.2
16 x 16 (406 x 406)	1	8	3.6
18 x 18 (457 x 457)	1	10	4.5
* 24 x 24 (609 x 609)	1	15	6.8
* 24 x 36 (609 x 914)	2	22	10



Rough opening Door sizes + 1/4" or + 6mm



For a complete list of options visit www.BestAccessDoors.com

PROJECT DATA

Custom Sizes Available - Fast!

PROJECT NAME :	QTY	W	H	OPTIONS
ARCHITECT :				
DEALER :				
CONTRACTOR :				
LOCATION :	SPECIAL INSTRUCTIONS :			
DATE :				
TAGGING INSTRUCTIONS :	SUBMITTAL APPROVAL : (signature or stamp)			

Scan or Click



To view Pricing and Additional Product Info.

TELEPHONE:
1-800-483-0823
FAX:
1-888-828-6021



228 PARK AVE. S. #76520
NEW YORK, NY, 10003



WEBSITE:
www.BestAccessDoors.com
E-MAIL:
info@BestAccessDoors.com