



Quality Access Doors- FAST!

SUBMITTAL/TECHNICAL DATA SHEET

SPECIFICATION

BENEFITS:

- The Milcor Upright Safety Bar is designed to assist in the safe passage when exiting and entering the roof hatch. A heavy-duty, hinged steel mechanism allows the upward and downward movement of the bright yellow safety bar.

- No need to attach bar to center of ladder rungs. Milcor's Upright Safety Bar has been designed to provide the safest way to exit and enter a roof hatch without restricting the opening or footing on the top rungs of the ladder.

QUALITY DESIGN & CONSTRUCTION:

- Simple and safe lift-and-lock into place movement
- Side location for safer and more convenient passage
- Automatically locks when fully extended
- Shipped as a separate unit. Also, available assembled to roof hatch
- Designed for hatches 4-foot and smaller on the ladder side
- Designed to provide approximately 42" height above laddersafest way to exit and enter a roof hatch without restricting the opening or footing on the top rungs of the ladder.

For a complete list of options visit www.BestAccessDoors.com

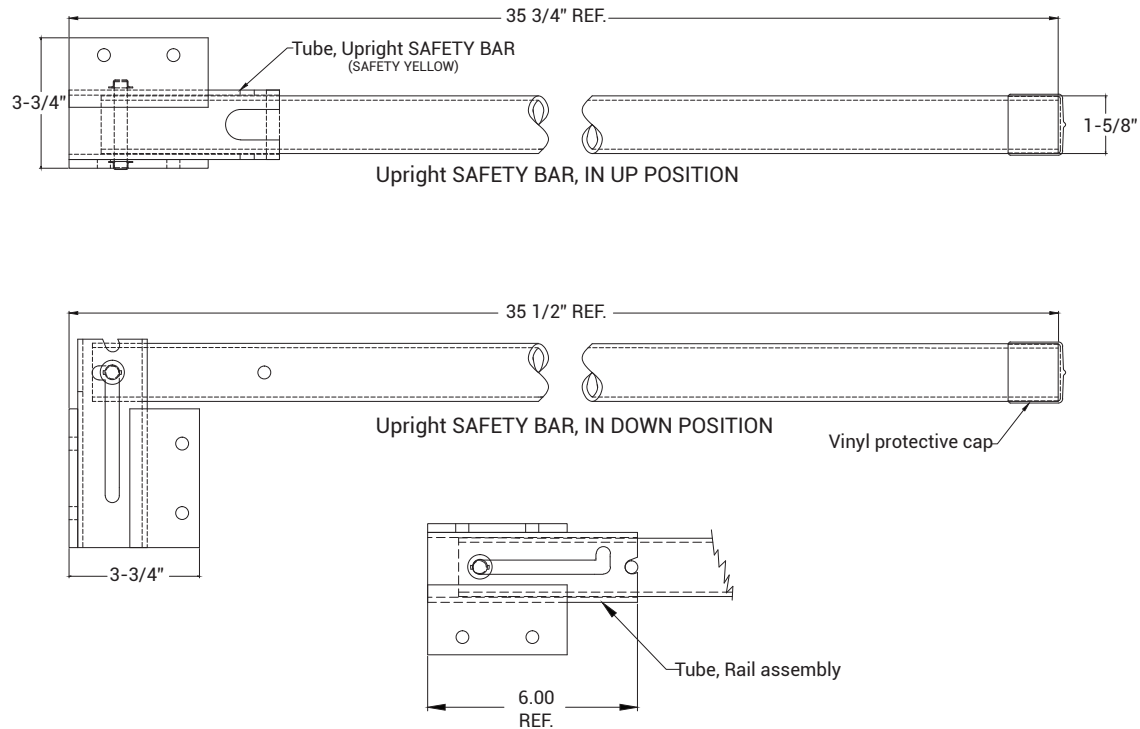
SKU: **BA-USB**

UPRIGHT SAFETY BAR



DIMENSIONS AND APPEARANCE

>> [CLICK TO VIEW ADDITIONAL DETAILS AND PRICING <<](#)



PROJECT DATA

Custom Sizes Available - Fast!

PROJECT NAME :	QTY	W	H	OPTIONS
ARCHITECT :				
DEALER :				
CONTRACTOR :				
LOCATION :	SPECIAL INSTRUCTIONS :			
DATE :	SUBMITTAL APPROVAL : (signature or stamp)			
TAGGING INSTRUCTIONS :				

Scan or Click



To view Pricing and Additional Product Info.

TELEPHONE:
1-800-483-0823

FAX:
1-888-828-6021



228 PARK AVE. S. #76520
NEW YORK, NY, 10003



WEBSITE:
www.BestAccessDoors.com

E-MAIL:
info@bestaccessdoors.com