



Quality Access Doors- FAST!

SUBMITTAL/TECHNICAL DATA SHEET

SKU: **BA-XTA**

WEATHER-RESISTANT EXTERIOR ACCESS PANEL

WITH R13 POLYISO INSULATION



DESCRIPTION

Select this new exterior access panel design with energy efficiency in mind. 2 inches of polyisocyanurate provides an R-value of 13, and dual layered gasketing provides the weather-resistance you need.

SPECIFICATION

(Galvannealed and Aluminum)

FRAME: 16 ga. Galvannealed steel frame with 1" exposed flange

DOOR: 2" Thick Polyisocyanurate Insulation, .040 Aluminum door panel with continuous stainless steel. Hinge and R value 13.0

GASKETS: Adhesive backed EPDM foamed silicone rubber seal on frame and door.

FINISH: White powder coat paint.

HANDLE: (F4) Lockable Compression Paddle Latch, Black

SIZES: Minimum 8" x 8", Maximum 48" x 48"

ORDER SIZE IS FRAME ID

OPTIONAL FEATURES

- (F6) Chrome lockable compression paddle Latch
- Optional color code

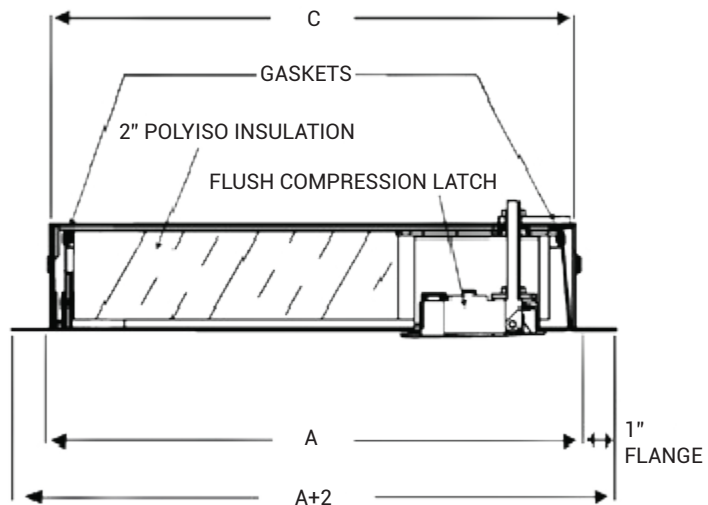
OPTIONAL FEATURES AT ADDITIONAL COST

For a complete list of options visit www.BestAccessDoors.com

DIMENSIONS AND APPEARANCE

>> [CLICK TO VIEW ADDITIONAL DETAILS AND PRICING <<](#)

Size (A)	Wall Opening (C)	Handles	Approx Ship Weight in lbs.	Size (A)	Wall Opening (C)	Handles	Approx Ship Weight in lbs.
12" x 12"	12-3/8" x 12-3/8"	1	11	24" x 30"	24-3/8" x 30-3/8"	2	40
14" x 14"	14-3/8" x 14-3/8"	1	15	24" x 36"	24-3/8" x 36-3/8"	2	42
18" x 18"	18-3/8" x 18-3/8"	1	19	24" x 48"	24-3/8" x 48-3/8"	2	57
20" x 24"	20-3/8" x 24-3/8"	2	30	30" x 30"	30-3/8" x 30-3/8"	2	44
20" x 30"	20-3/8" x 30-3/8"	2	32	30" x 36"	30-3/8" x 36-3/8"	2	56
22" x 30"	22-3/8" x 30-3/8"	2	34	36" x 36"	36-3/8" x 36-3/8"	2	61
22" x 36"	22-3/8" x 36-3/8"	2	40	36" x 48"	36-3/8" x 48-3/8"	2	75
24" x 24"	24-3/8" x 24-3/8"	2	27	48" x 48"	48-3/8" x 48-3/8"	2	108



PROJECT DATA

Custom Sizes Available - Fast!

PROJECT NAME :	QTY	W	H	OPTIONS
ARCHITECT :				
DEALER :				
CONTRACTOR :				
LOCATION :	SPECIAL INSTRUCTIONS :			
DATE :	SUBMITTAL APPROVAL : (signature or stamp)			
TAGGING INSTRUCTIONS :				

Scan or Click



To view Pricing and Additional Product Info.

TELEPHONE:
1-800-483-0823
FAX:
1-888-828-6021



228 PARK AVE. S. #76520
NEW YORK, NY, 10003



WEBSITE:
www.BestAccessDoors.com
E-MAIL:
info@bestaccessdoors.com