

BA-RHADD

DOMED ROOF HATCH

Application

Acudor Domed Roof Hatches are designed to provide convenient, economical access to the roof of a building. The Polycarbonate Domes provide the benefit of a skylight.

Features

- Clear polycarbonate double-skin dome

Optional Features

- Stainless Steel cover, curb, and/or hardware
- Louvered Curbs
- Curb Mounted Units
- Curb pitch corrected for sloped roof
- All Aluminum construction, cover and curb

Specifications:

Cover: Double-skin construction ("in box type design") with 1" polyiso insulation and a continuous EPDM foam weather/draft seal gasket that is attached to the inside of cover to provide a flush, tight fit. Designed to support a live load of 40lbs./sq. ft., the cover is 1/8" thick aluminum.

To accommodate the clear polycarbonate domes, an aluminum extrusion with built in condensation drainage channel is provided

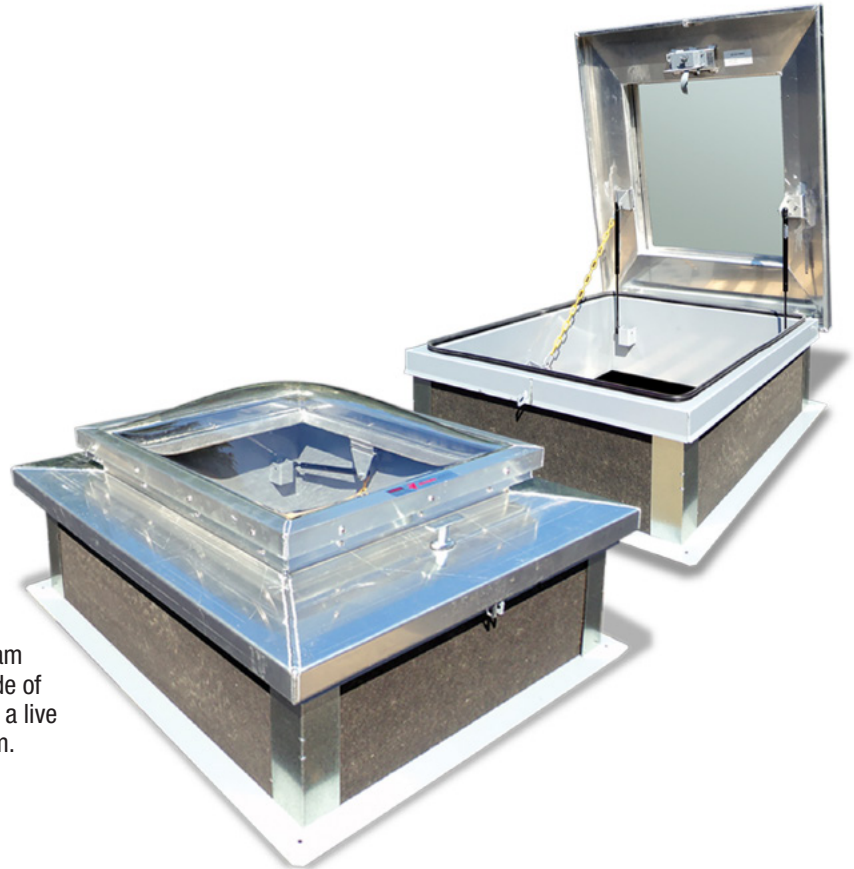
Curb: 11 gauge Aluminum with 1" thick fiberboard roof insulation at curb exterior. Curb is 12" high, with 3.375" wide bottom flange and pre-drilled mounting holes

Hinge: Heavy Duty Aluminum pintle hinges with 3/8" pin

Opening: Gas spring operators allow cover to open and close with ease. Inside pull handle allows for easy control when closing cover.

Door Latch: Self latching, zinc plated outside T handle with stainless steel inside lock and lever assembly. Unit also has inside and outside padlock provisions.

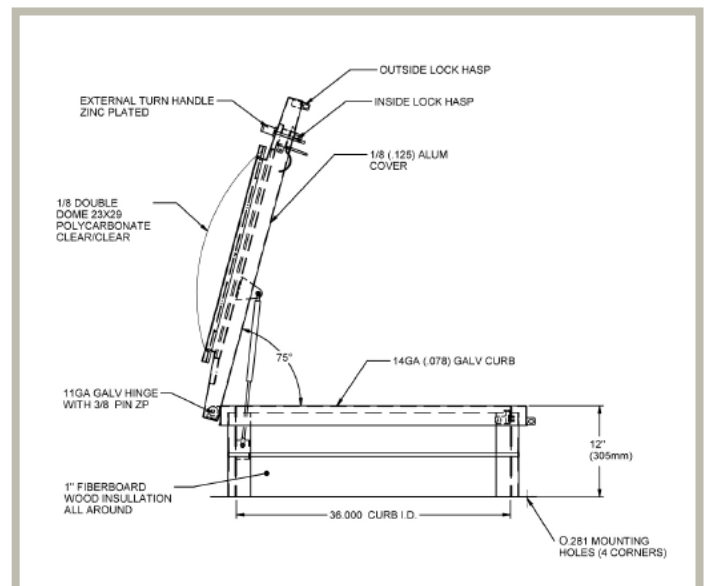
Finish: Mill finish



STANDARD SIZES

(special sizes available upon request)

Nominal Door Size W&H		Weight per Door	
Model	inches (mm)	materials	lbs. (kg.)
ADD3232	24 X 24 (610 X 610)	ALUM	125 (56.8)
ADD3244	24 X 36 (610 X 914)	ALUM	135 (61.4)
ADD3838	30 X 30 (762 X 762)	ALUM	140 (63.5)
ADD3844	30 X 36 (762 X 914)	ALUM	155 (70.5)
ADD4444	36 X 36 (914 X 914)	ALUM	170 (77.3)



For detailed specifications see submittal sheet



228 Park Ave S # 76520
 New York NY 10003-1502
 United States
 www.BestAccessDoors.com
 sales@bestaccessdoors.com
 Tel.: 1-800-483-0823
 Fax: 1-888-828-6021

QTY	OPENING WIDTH "W"	OPENING LENGTH "L"	QTY	OPENING WIDTH "W"	OPENING LENGTH "L"
	24" (601mm)	24" (601mm)		36" (914mm)	36" (914mm)
	36" (601mm)	24" (914mm)			
	30" (762mm)	30" (762mm)			
	36" (762mm)	30" (914mm)			

DOMED ROOF HATCH

ASSEMBLY NOTE:

UNIT SHALL BE COMPLETELY ASSEMBLED AS SHOWN
 AND SUPPLIED TO JOB READY FOR INSTALLATION

FINISH: RAL 7046 TELEGREY CURB
 MILL ALUMINUM COVER

