

# BA-RHGDD

## GALVANIZED DOMED ROOF HATCH

### Application

Acudor Domed Roof Hatches are designed to provide convenient, economical access to the roof of a building. The Polycarbonate Domes provide the benefit of a skylight.

### Features

- Clear, bronze, white, combination polycarbonate double-skin dome
- G90 Galv. Steel
- Stainless Steel Hardware

### Optional Features

- Stainless Steel cover, curb
- Louvered Curbs
- Curb Mounted Units
- Curb pitch corrected for sloped roof
- All Aluminum construction, cover and curb

### Specifications:

**Cover:** Double-skin construction ("in box type design") with 1" Polyiso (R-6) insulation and a continuous EPDM foam weather/draft seal gasket that is attached to the inside of cover to provide a flush, tight fit. Designed to support a live load of 40lbs./sq. ft., the cover is 14 gauge galvanized steel with a 22 gauge galvanized steel inside liner.

**Curb:** 14 gauge galvanized steel with 1" thick Polyiso (R-6) insulation with Fiberglass liner at curb exterior. Curb is 12" high, with 3.375" wide bottom flange and pre-drilled mounting holes.

**Hinge:** Heavy duty galvanized steel pintle hinges with 3/8" SS pin

**Opening:** Gas spring operators allow cover to open and close with ease. Stainless Steel inside pull handle allows for easy control when closing cover.

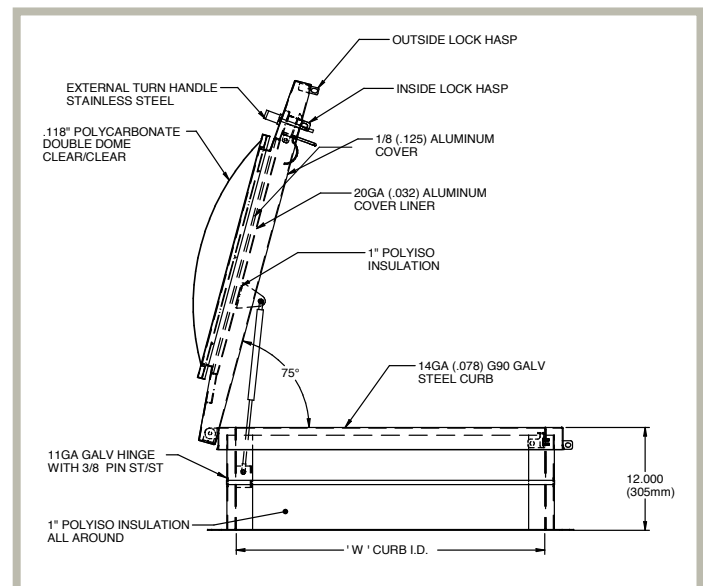
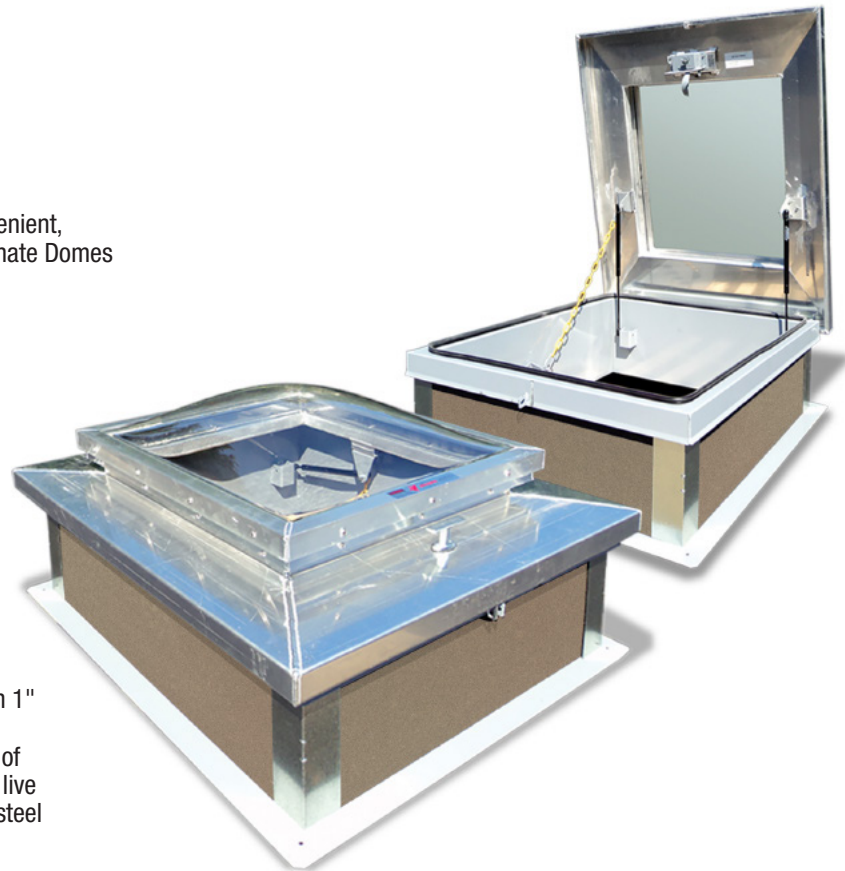
**Door Latch:** Self latching, Stainless Steel outside T handle with stainless steel inside lock and lever assembly. Unit also has inside and outside padlock provisions.

**Finish:** Material is prepared with an iron phosphate wash, followed by a rust inhibiting primer, and then a baked on polyester enamel grey paint.

### BA-RHGDD STANDARD SIZES *(other sizes available)*

Model	Curb ID L&W	Weight per Hatch
	inches (mm)	
GD3232	24 X 24 (610 X 610)	125 (56.8)
GD3244	24 X 36 (610 X 914)	135 (61.4)
GD3838	30 X 30 (762 X 762)	140 (63.5)
GD3844	30 X 36 (762 X 914)	155 (70.5)
GD4444	36 X 36 (914 X 914)	170 (77.3)

For detailed specifications see submittal sheet





228 Park Ave S # 76520, New York NY 10003-1502, United States  
 www.BestAccessDoors.com | sales@bestaccessdoors.com  
 Tel.: 1-800-483-0823 | Fax: 1-888-828-6021

QTY	OPENING WIDTH 'W'	OPENING LENGHT 'L'	QTY	OPENING WIDTH 'W'	OPENING LENGHT 'L'
	24" (610mm)	24" (610mm)		36" (914mm)	30" (762mm)
	36" (914mm)	24" (610mm)		36" (914mm)	36" (914mm)
	30" (762mm)	30" (762mm)		48" (1219mm)	48" (1219mm)

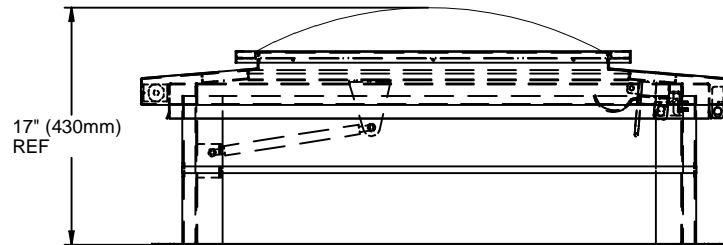
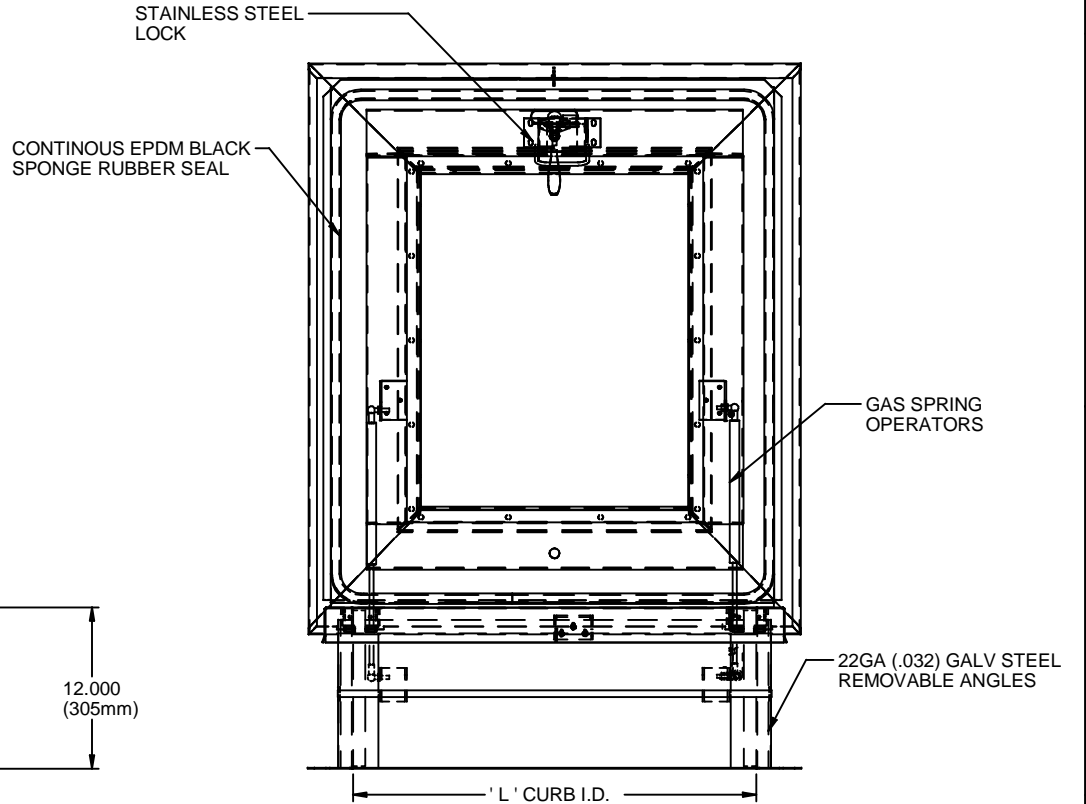
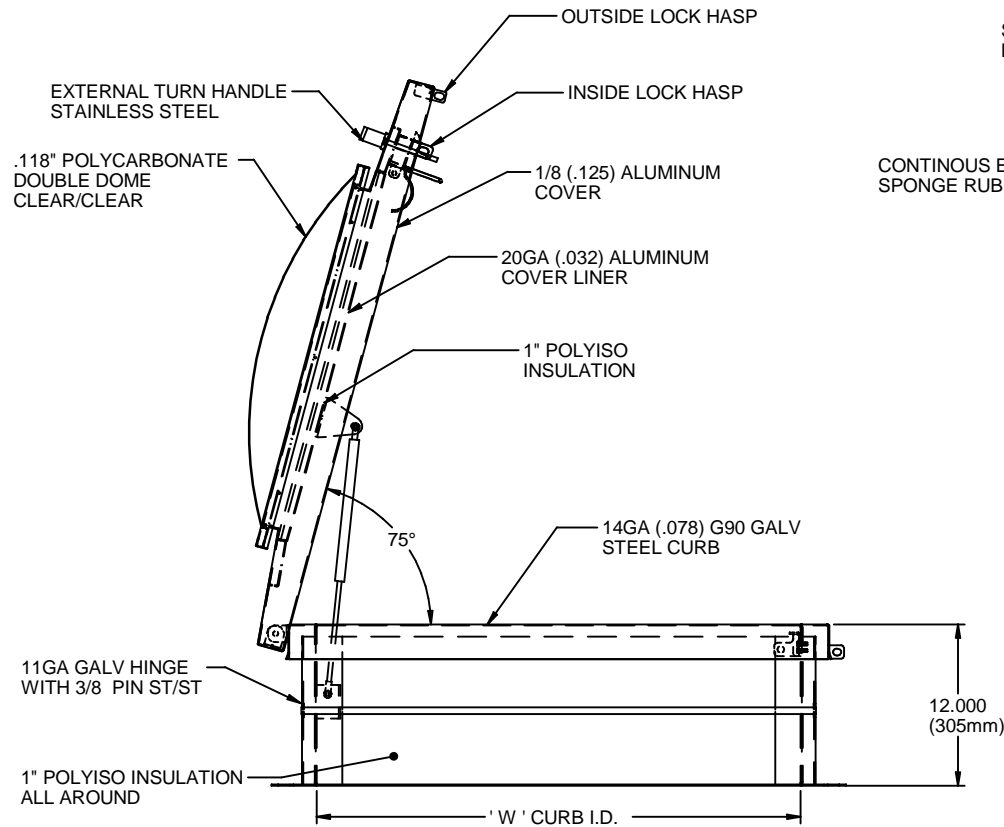
**DOMED ROOF HATCH GALVANIZED**

**ASSEMBLY NOTE:**  
 UNIT SHALL BE COMPLETELY ASSEMBLED AS SHOWN AND SUPPLIED TO JOB READY FOR INSTALLATION

**FINISH:** MILL FINISH COVER  
 BAKED ENAMEL POLYESTER CURB  
**COLOR:** RAL 7046 TELEGREY2 CURB

D  
C  
B  
A

D  
C  
B  
A



JOB NAME: \_\_\_\_\_ APPROVED BY: \_\_\_\_\_  
 CUSTOMER: \_\_\_\_\_ DATE: \_\_\_\_\_  
 COPYRIGHT © 2014 ACUDOR ACCESS DOORS AND ACUDOR PRODUCTS - ALL RIGHTS RESERVED

RHG-DD

8 7 6 5 4 3 2 1