

**SKU: BA-E-90**

**ROOF SCUTTLE INSTALLATION AND MAINTENANCE INSTRUCTIONS**

These are recommended guidelines. Locally accepted and/or mandated practices and procedures should be followed to ensure the long-term durability and operation of the Bilco® Roof Scuttle installed into the various types of construction systems. This product may be installed on either a flat or sloping roof. When installed on a slope, the hinge side must run parallel with the slope. If slope exceeds 30°, advise factory for modification

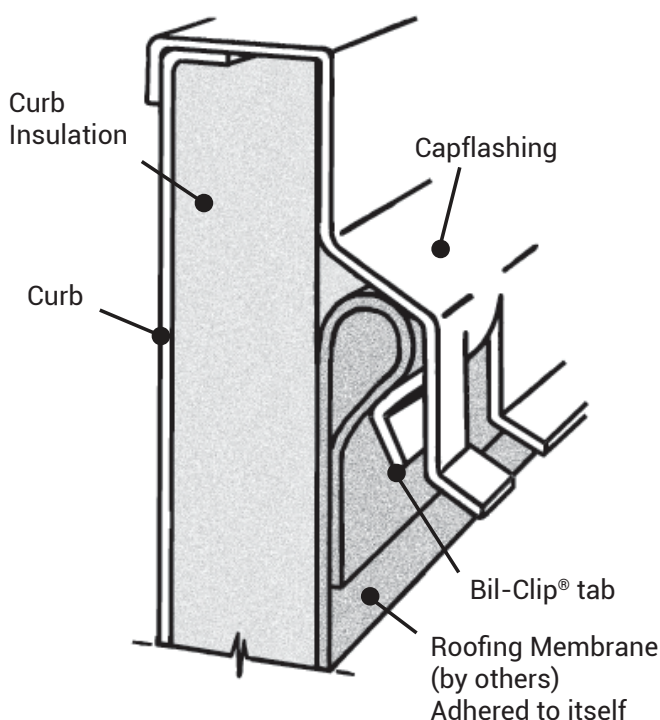
**■ INSTALLATION INSTRUCTIONS**

1. CAUTION: COVER IS SPRING LOADED. Do not remove the steel strapping until unit is to be installed and is in normal horizontal position.
2. Position the scuttle as follows:
  - A. When installation is over a ladder and the scuttle is a TYPE S, 2'6" x 3'0" with 700 opening cover, the hinge side of the scuttle should be placed opposite the ladder side (hinge side at the back of the climber).
  - B. When installation is over a ladder and the scuttle is a size with a 900 opening cover, the scuttle should be placed so that the automatic hold open release arm and the red vinyl grip are on the ladder side.
  - C. When installation is over a stairway, the automatic hold open release arm and red vinyl grip should be at the head of the stairway.
3. Check that the frame is in the proper plane and not twisted or racked due to an uneven mounting surface. Shim under the base flange, if required, to be sure cover(s) close properly on the frame.
4. Secure the scuttle to the roof deck through holes provided in the base flange using appropriate fasteners.
5. Complete the installation in accordance with accepted roofing industry practice.

Suggested method:

- A. For single ply roofing, apply adhesive and fold over 4" (10cm) of the top edge of the membrane skirt flashing and insert it under the capflashing. Complete all sides. With a screwdriver and hammer, bend Bil-Clip™ tabs inward to hold membrane in place (see sectional detail).
  - B. For built-up roofing, install a cant block around the curb. Run roofing plies to the top of the cant and cut off. Apply two layers of No. 15 felt on the curb under the integral capflashing, extending beyond the outside base of the cant block. Secure the felts with alternate troweled coats of finishing cement. **DO NOT BEND Bil-Clip™ TABS INWARD.**
6. Scuttles with red oxide factory prime should receive a finish coat of alkyd metal.

**■ FLASHING SYSTEM INSTALLATION**



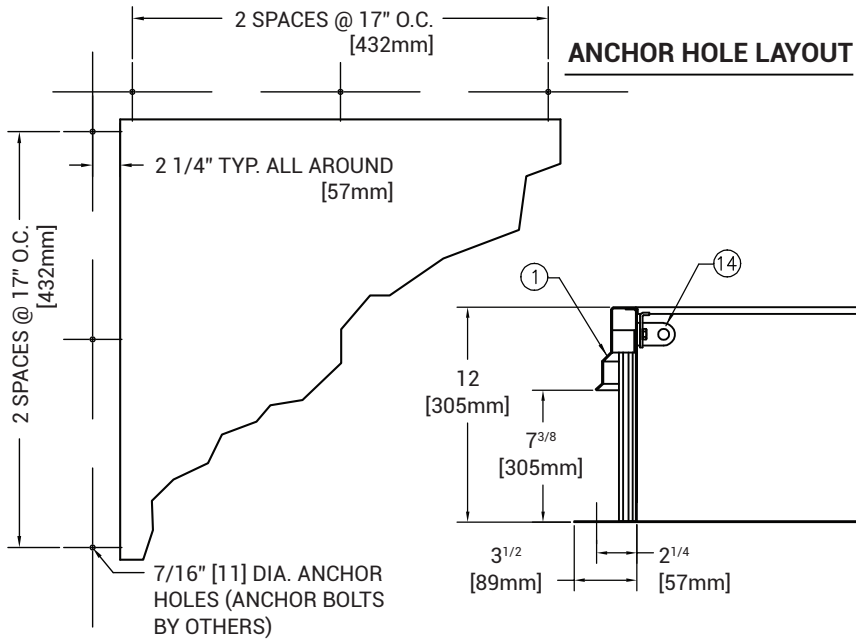
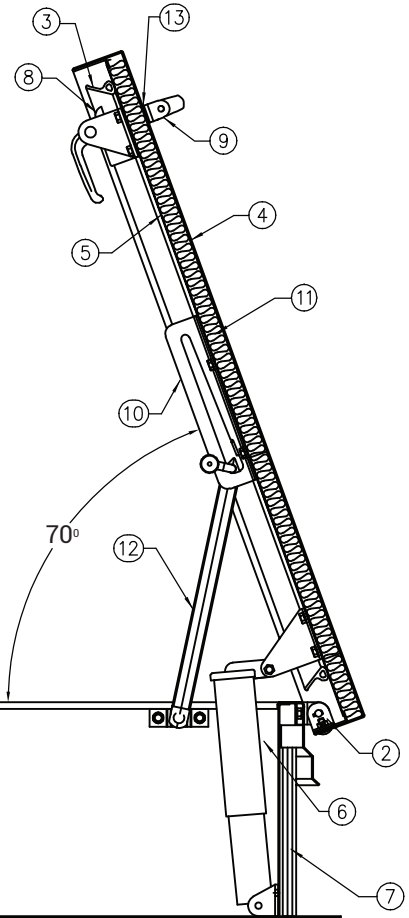
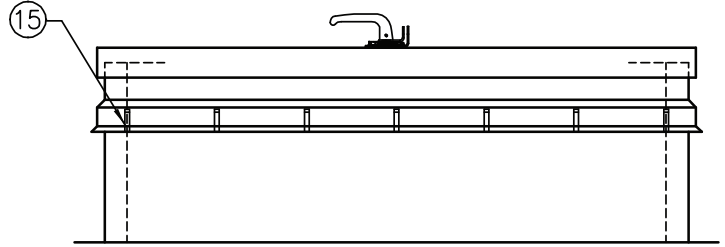
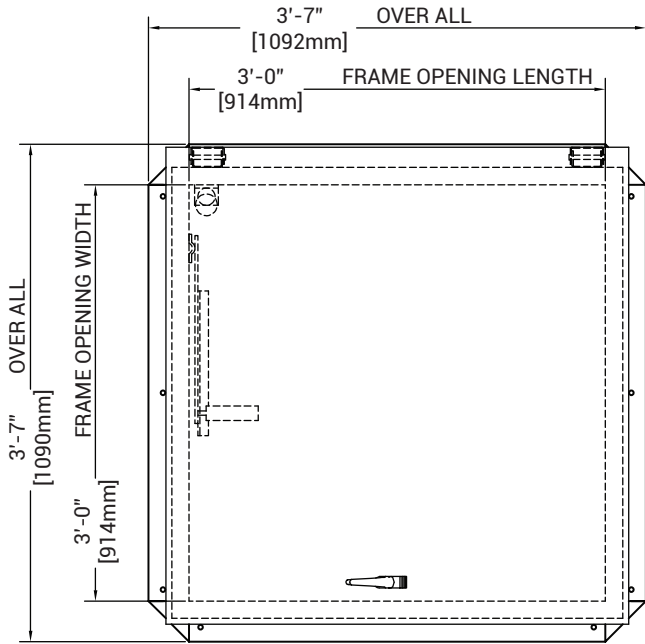
1. Fold over 4" of the edge of the membrane skirt flashing and insert it under the curb flashing. Apply adhesive into fold and smooth flat.
2. Strike Bilco Bil-Clip® tabs with hammer and screwdriver to bend inward as shown.

**IMPORTANT**

**DO NOT REMOVE CURB INSULATION**

**SKU: BA-E-90**

**ROOF SCUTTLE INSTALLATION AND MAINTENANCE INSTRUCTIONS**



**SECTION**

70°