

SKU: BA-UL-SEEA

UL-SEE INSTALLATION AND MAINTENANCE INSTRUCTIONS

These are recommended general guidelines only. Locally accepted and/or mandated roofing and sealing practices and procedures should be followed to ensure the ultimate weatherability of vents installed into various types of roofing systems. This product shall be installed in accordance with the standard for Smoke and Heat Venting, NFPA 204.

■ WARNING

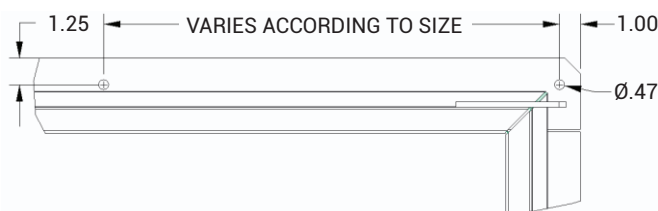
Smoke vent doors are spring loaded. Follow all governing safety regulations during handling and installation.

■ INSTALLATION

Handle with care during transport and installation to ensure against bending or racking of the smoke vent.

1. The roof mounting surface at the smoke vent rough opening shall be level and free of any debris.
2. Place the smoke vent over the rough opening in the roof that has been prepared with appropriate roofing material, if applicable. NOTE: When mounting on sloped roof, smoke vents with gutters shall be installed with gutter running in same direction as slope.
3. The smoke vent curb flange comes with predrilled mounting holes to accommodate various fastening methods practiced and accepted at a local level. Mark the pre-drilled holes from the mounting flange through to the roof deck or curb.
4. Drill roof deck or curb for installation of anchors or other fasteners (provided by others).
5. Confirm that unit is plumb, level and square prior to final fastening. The unit must be reasonably level to open properly. If the unit is more than 1/8" out of level, shim underneath the appropriate corners of the unit's curb until level.
6. Secure smoke vent curb flange to roof deck using appropriate sized bolts, screws, or anchors for wood, steel and concrete mounting applications.
7. Do not remove curb insulation. Install cant strips (provided by others) on all sides of the roof curb to allow for slope away from the curb. Roofing material shall extend up all sides of curb and secured under the integral counterflashing.
8. Complete the installation in accordance with accepted roofing industry practices.
9. Conduct an acceptance performance test and inspection immediately following installation to establish that all operating mechanisms function properly.

Warning: If interior of smoke vents are field painted, all component parts must be masked. Critical component parts include spring/dampers, latches, fusible links and any labels. Painted component parts may damage the smoke vents and will void the warranty.



■ FIELD TESTING

If testing is required to verify proper operation after installation, do so by one or more of the following methods:

1. From the underside of the smoke vent, stand clear of closed cover and apply a heat source in excess of 165° (74°C) directly to the fusible link. All replacement fusible links shall be UL listed and 165° rated.
2. Pull internal or external manual pull handle, then close smoke vents.
3. If applicable, open vents using an electrical signal from the fire alarm, push button controller or other applicable electrical means.

■ FUSIBLE LINK INSPECTION

1. Inspect fusible links at least annually for evidence of any corrosion, stress/strain or build-up of particulate matter.
2. Fusible links that have been painted must be replaced as soon as the condition is observed.
3. Fusible links coated with paper dust, fiberglass hairs or similar particulate matter should be cleaned. If cleaning with air pressure does not remove such matter, replace the links or contact the Governing Authority or the fusible link manufacturer for guidance.

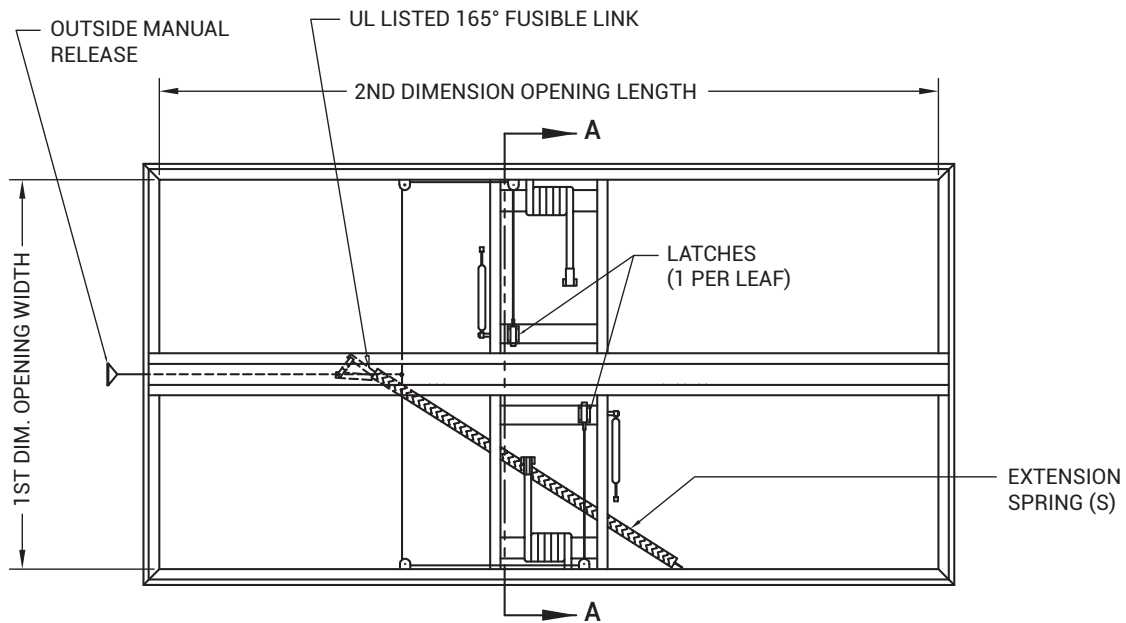
SKU: BA-UL-SEEA

UL-SEE INSTALLATION AND MAINTENANCE INSTRUCTIONS

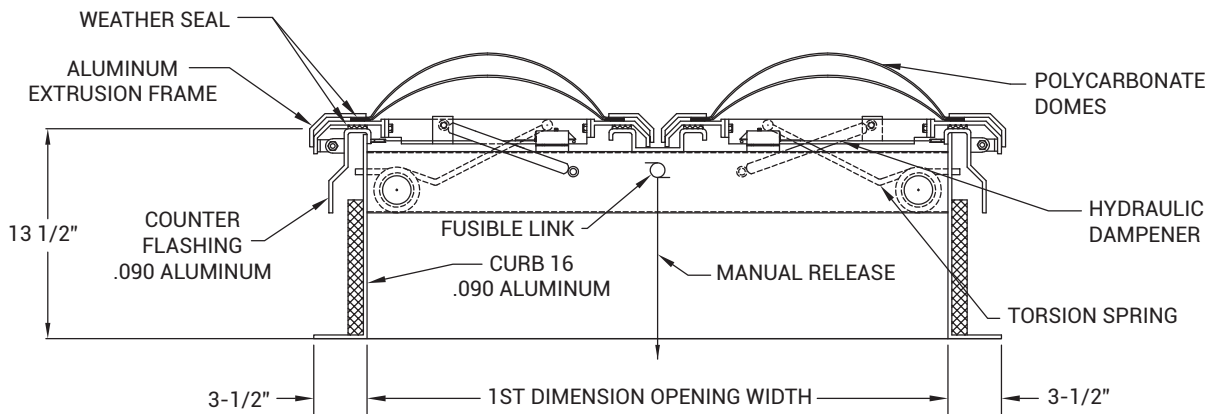
MAINTENANCE

This unit is of corrosion-resistant construction and should be regularly inspected and maintained. Vents should be manually operated, in accordance with local fire safety precautions, annually to check proper component performance.

1. Utilize the manual release mechanism to open the smoke vent doors.
2. Check the latch mechanism, latch points, pivots, hinges etc. for freedom of action. Note any indication of corrosion. Initiate maintenance corrections as required.
3. Lubricate all mechanisms, latches, pivots, hinges, etc. with a silicone spray lubricant as required to maintain a smooth opening and closing of the smoke vent door.
4. Do not use regular lubricating oil as it can attract dust and grit. Non-moving parts can be cleaned with a mild soap or dishwashing detergent and water solution. Gaskets can be cleaned with a clean, damp, lint-free cloth. Do not apply mineral oils, vinyl dressings, or other lubricants to the gasket as they can cause the gasket to break down over time.
5. Smoke vent covers close manually from the exterior roof top level. It may require multiple people to close the covers due to the spring force. To close, disengage the hold open channel. The cover latch and the manual release mechanism resets automatically by closing the covers. Follow all safety requirements regarding fall protection.



**PLAN VIEW
COVERS REMOVED**



SECTION VIEW A-A