



Quality Access Doors- FAST!

SUBMITTAL/TECHNICAL DATA SHEET

APPLICATION

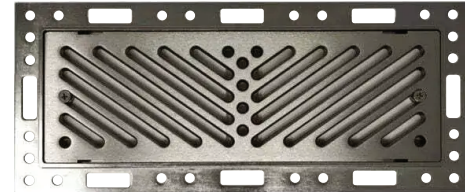
The Breeze has universal appeal that will enhance all types of design styles. This pattern can range from modern to traditional decor. This is a fixed 1/2" thickness frame to accommodate most flooring thicknesses. The metal vents can be easily installed and look beautiful with various flooring types like intricate Tile, Laminate, Hardwood, LVP, and Carpet. The unique design allows for a flush mount, seamless finish. It comes with the frame & grill. This vent can be fastened, adhered, or floated on the subfloor. Breeze Style vents are available with or without a built in Damper and available in 2 1/2"x12, 4x10, 4x12, and 4x14 sizes, and with 9 color options including Arctic White, Burnt Leaf, Desert Sand, Midnight Black, Mountain Fog, Safari Dust, Brushed Platinum, Smokey Shale and Silver River.

FEATURES

- Ventique metal vents unique design allows for a flush mount, seamless finish.
- Designed for use with intricate Tile, Laminate, Hardwood, LVP, and Carpet
- By integrating our two-part frame and vent insert, Ventique grills are completely interchangeable.
- Available in 1/2" thickness
- In durability tests, our vents have proven their weight by upholding more than 875 pounds.
- Composed of powder-coated aluminum, our flush mount metal vents do not bend, crack, rust, chip, or peel.
- Built in damper available in certain styles.
- Easy installation for skilled craftsman and DIY homeowners alike
- To find the correct size, measure your duct opening Length x Width in inches.

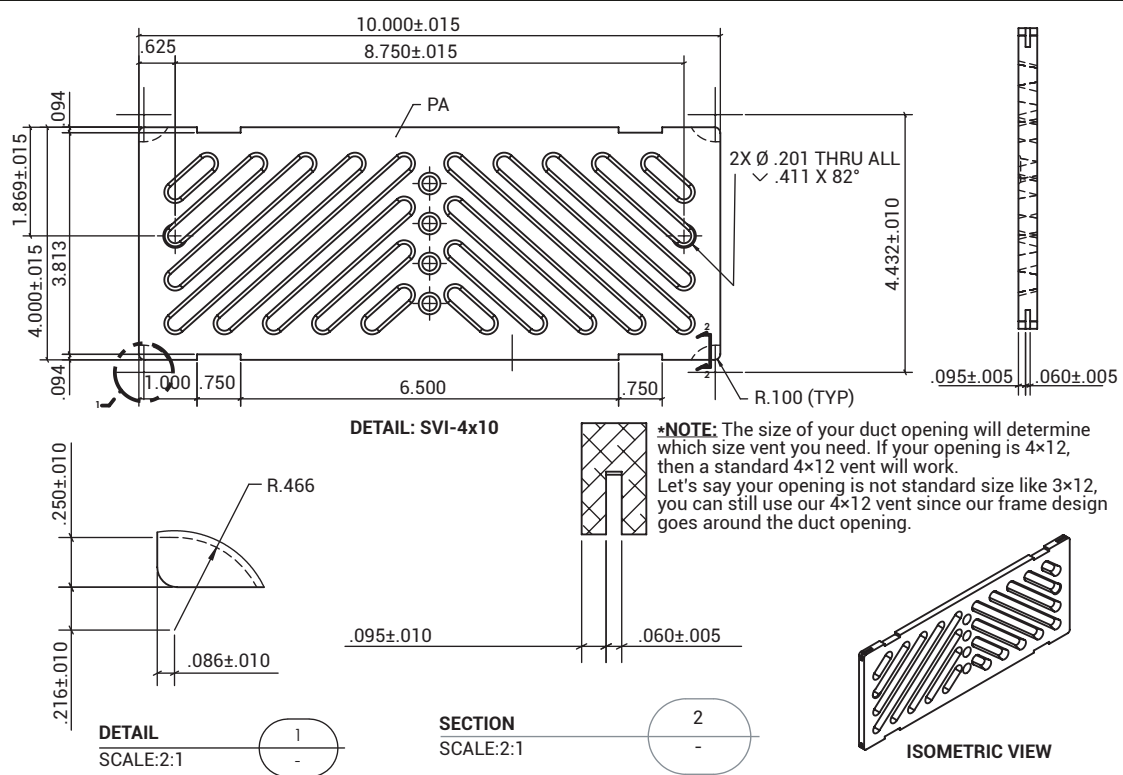
SKU: BA-FVASDSD

FLUSH MOUNT FLOOR VENT W/ ANGLED SLOTS - DARK SILVER



DIMENSIONS AND APPEARANCE

>> CLICK TO VIEW ADDITIONAL DETAILS AND PRICING <<



MARK	PC. DET.	STEEL SHAPE	DESCRIPTION/ 1ST DEIMENSION	2ND DIM	LENGTH	REMARKS	WT	SF
SVI-4x10			VENT INSERT FOR 4x10				0.65	0.59
	PA	PL	0.25	4	10		0.65	0.59

For a complete list of options visit www.BestAccessDoors.com

PROJECT DATA

Custom Sizes Available - Fast!

PROJECT NAME :	QTY	W	H	OPTIONS
ARCHITECT :				
DEALER :				
CONTRACTOR :				
LOCATION :	SPECIAL INSTRUCTIONS :			
DATE :				
TAGGING INSTRUCTIONS :	SUBMITTAL APPROVAL : (signature or stamp)			

Scan or Click



To view Pricing and Additional Product Info.

TELEPHONE:
1-800-483-0823
FAX:
1-888-828-6021



228 PARK AVE. S. #76520
NEW YORK, NY, 10003



WEBSITE:
www.BestAccessDoors.com
E-MAIL:
info@bestaccessdoors.com