



Quality Access Doors- FAST!

# SUBMITTAL/TECHNICAL DATA SHEET

## APPLICATION

Acudor Smoke Vents are designed to provide an economical solution for fire ventilation by removing deadly smoke, heat, and gases from a burning building. Single leaf Smoke Vents are used for smaller areas that need venting, including elevator shafts and stairwells. Single leaf units are not U.L. Listed

## FEATURES

- 1/8" thick aluminum
- 12" high insulated curb
- High performance gas springs
- Inside and Outside manual release
- UL Listed Fusible or McCabe Resettable Link
- Stainless Steel Hardware

## OPTIONAL FEATURES

- Curb mount or Metal Building Flange
- Double-Dome Polycarbonate lids for daylighting
- Louvered curb for ventilation

## SPECIFICATIONS

**COVER:** Double-skin construction ("in box type design") with 1" Polyiso (R-6) insulation and a continuous EPDM foam weather/draft seal gasket that is attached to the inside of cover to provide a flush, tight fit. Designed to support a live load of 40lbs./sq. ft., the cover is 1/8" thick aluminum with a 20 gauge aluminum inside liner

**CURB:** 1/8" Aluminum with 1" thick Polyiso (R-6) insulation at curb exterior. Curb is 12" high, with 3.375" wide bottom flange and pre-drilled mounting holes

**HINGE:** Aluminum pintle hinges with 3/8" pin

**OPENING:** Gas spring operators allow cover to open and close with ease. Inside and outside release allows for manual lid operation

**DOOR LATCH:** Self latching Slam Latch. Supplied standard with 165° UL Listed Fusible Link. Resettable McCabe link available

**FINISH:** Mill finish

SKU: **BA-SVA**

# ALUMINUM SMOKE VENT-SINGLE LEAF



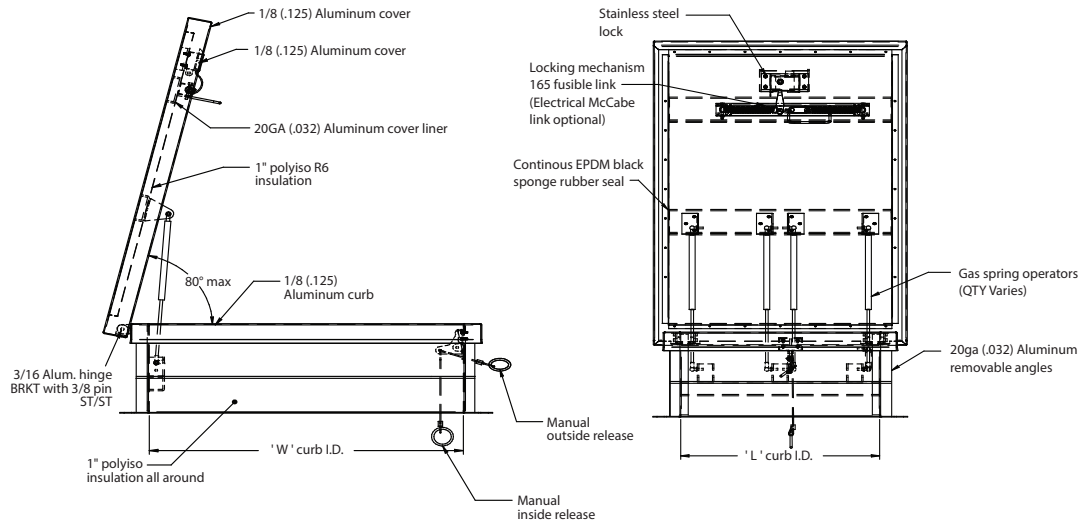
## DIMENSIONS AND APPEARANCE

>> CLICK TO VIEW ADDITIONAL DETAILS AND PRICING <<

| MODEL   | CURB ID L&W INCHES | L&W (MM)      | WEIGHT |      |
|---------|--------------------|---------------|--------|------|
|         |                    |               | LBS    | KG   |
| SVA2424 | 24 x 24            | (610 x 610)   | 60     | 27.3 |
| SVA2436 | 24 x 36            | (610 x 914)   | 70     | 31.8 |
| SVA3030 | 30 x 30            | (762 x 762)   | 75     | 34.0 |
| SVA3036 | 30 x 36            | (762 x 914)   | 85     | 38.6 |
| SVA3096 | 36 x 96            | (762 x 2438)  | 212    | 96.1 |
| SVA3636 | 36 x 36            | (914 x 914)   | 95     | 43.2 |
| SVA4848 | 48 x 48            | (1219 x 1219) | 123    | 55.8 |

For detailed specifications see submittal sheet

MANUFACTURED BY ACUDOR



**ASSEMBLY NOTE:**  
Unit shall be completely assembled as shown and supplied to job ready for installation  
**FINISH:** Mill

For a complete list of options visit [www.BestAccessDoors.com](http://www.BestAccessDoors.com)

## PROJECT DATA

Custom Sizes Available - Fast!

| PROJECT NAME :         | QTY  | W | H | OPTIONS |
|------------------------|--|---|---|---------|
| ARCHITECT :            |  |   |   |         |
| DEALER :               |  |   |   |         |
| CONTRACTOR :           |  |   |   |         |
| LOCATION :             | SPECIAL INSTRUCTIONS :                       |   |   |         |
| DATE :                 |  |   |   |         |
| TAGGING INSTRUCTIONS : | SUBMITTAL APPROVAL :<br>(signature or stamp) |   |   |         |

Scan or Click



To view Pricing and Additional Product Info.



TELEPHONE:  
1-800-483-0823  
FAX:  
1-888-828-6021



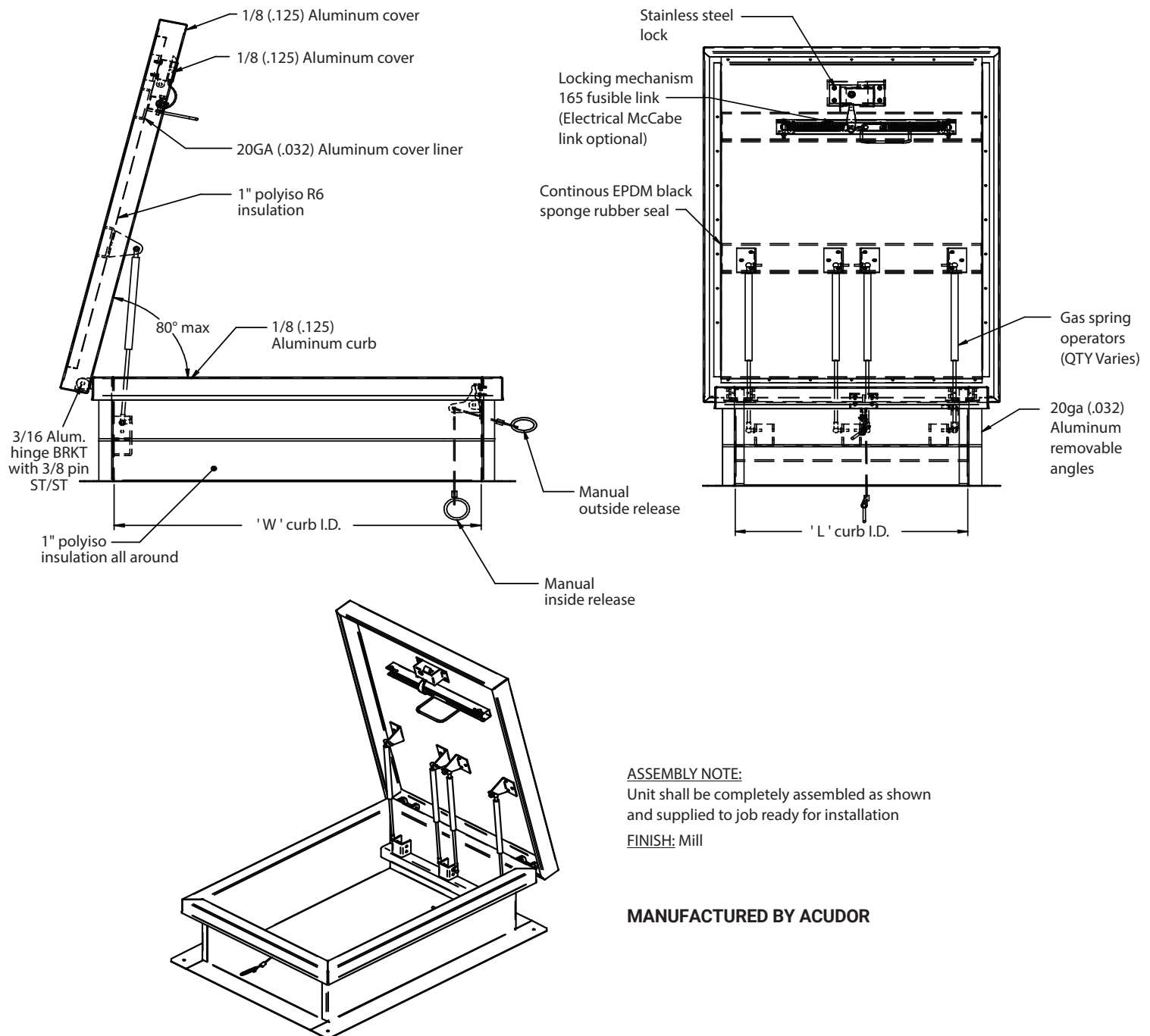
228 PARK AVE. S. #76520  
NEW YORK, NY, 10003



WEBSITE:  
[www.BestAccessDoors.com](http://www.BestAccessDoors.com)  
E-MAIL:  
[info@bestaccessdoors.com](mailto:info@bestaccessdoors.com)

# BA-SVA ALUMINUM SMOKE VENT SINGLE LEAF

| QTY | OPENING WIDTH 'W' | OPENING LENGTH 'L' | QTY | OPENING WIDTH 'W' | OPENING LENGTH 'L' |
|-----|-------------------|--------------------|-----|-------------------|--------------------|
|     | 24" (610mm)       | 24" (610mm)        |     | 36" (914mm)       | 30" (762mm)        |
|     | 36" (914mm)       | 24" (610mm)        |     | 36" (914mm)       | 36" (914mm)        |
|     | 30" (762mm)       | 30" (762mm)        |     |                   |                    |



**ASSEMBLY NOTE:**  
Unit shall be completely assembled as shown and supplied to job ready for installation

**FINISH:** Mill

**MANUFACTURED BY ACUDOR**