



Quality Access Doors - FAST!

TECHNICAL DATA SHEET

APPLICATION

Self-Attaching, Beveled Vision Lite with Single Side Fasteners For Fire Rated Doors for 3/16" to 1/4" Glass.

SPECIFICATIONS

MATERIAL: 20 gauge CRS frame. Min Size 4" x 4", Max 60" x 104".

CONSTRUCTION: 1-1/4" trim, with mitered and welded corners. Continuous glass retainer, counter-sunk mounting holes in the bevel on non-corridor side. 1/4" projection from door.

DOOR: For 1-3/4" door.

FASTENERS: #8 x 1" flathead phillips SMS to match finish.

GLASS: 3/16" - 1/4" glazing to be ordered separately from glazing submittals. Visible light is 2" under rough opening size. Use fire rated glazing with Warnock Hersey (WHI) or UL classification markings for fire rated applications.

FIRE-RATING, TESTING & LISTINGS: When installed in properly rated and approved door, ratings up to 3 hours can be achieved, depending on the glazing used. See glazing ratings for max exposed area. Tested and Listed for UL 10C and Criteria of UBC 7-2 Positive Pressure.

OPTIONS (AT ADDITIONAL COST)

PAK: Includes Vision Lite, Glass Sized to Fit, Applied Glazing tape for UL10B Installations, Securely Packaged Individually.

MULLIONS: Factory welded to vision lite & painted.

PRIVACY SCREEN: Add the Velo Privacy Screen to This Vision Lite.

For a complete list of options visit www.BestAccessDoors.com

SKU: **BA-VLBBTMP**

BEVELED VISION LITE

FOR 3/16"-1/4"



DIMENSIONS AND APPEARANCE

>> [CLICK TO VIEW ADDITIONAL DETAILS AND PRICING <<](#)

POWDER COAT FINISHES:

- ___ (B) Mineral Bronze ___ (G) Gray (stock colors)
- ___ (BK) Black ___ (FB) Flat Black ___ (W) White
- ___ (SB) SC Beige ___ (SI) Silver ___ (BA) Brass
- ___ (S) Sand ___ (AB) AMS Beige

OPTIONS AT ADDITIONAL COST:

UBC 7-2 INSTALLATION: _____ Additional intumescent tape for Positive Pressure UL10C.

FINISHES & MATERIALS:

- ___ (S) 20 Gauge Stainless Steel: #4 Finish.
- ___ (G) Galvanneal
- ___ (E) Zinc Plated

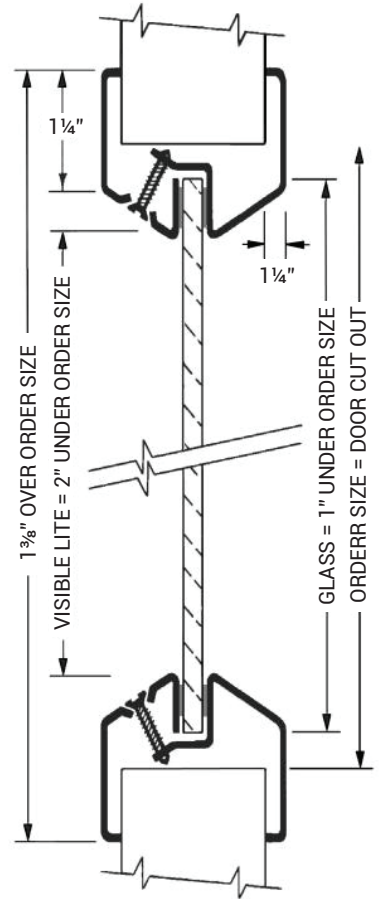
FASTENERS: _____ Torx _____ Other: _____

CUSTOM: Leadlined or special order, contact with us.

ORDER FORMAT:

VLBBTMP _____ Option S,G,E W H Color

Example: VLBBWS 1212AB



PROJECT DATA

Custom Sizes & Options Available - Fast!

Scan or Click



PROJECT NAME :	QTY	W	H	OPTIONS
ARCHITECT :				
DEALER :				
CONTRACTOR :				
LOCATION :	SPECIAL INSTRUCTIONS :			
DATE :				
TAGGING INSTRUCTIONS :	SUBMITTAL APPROVAL : (signature or stamp)			

TELEPHONE:
1-800-483-0823
FAX:
1-888-828-6021



228 PARK AVE. S. #76520
NEW YORK, NY, 10003



WEBSITE:
www.BestAccessDoors.com
E-MAIL:
info@bestaccessdoors.com

To view Pricing and Additional Product Info.